



AUTEXIER

MANUFACTURER OF INDUSTRIAL VALVES

93 Rue Louis Blanc - 02300 CHAUNY - FRANCE
 Phone: +33 (0)3 23 52 02 86 Fax : +33 (0)3 23 39 52 28
 Website : www.autexier.fr

Ref. 379 Family : 27

Rev. 08

Date : 06 Aug. 2020

Page 1/1

BRONZE SAFETY VALVE

Ref. 379.Ø / 379BPØ / 379TØ / 379MØ

SERIES :

- 379.Ø : FPM Disc
- 379BPØ : Silicone Disc (low pressure)
- 379TØ : PTFE Disc
- 379MØ : Metal Disc
- Male inlet / female outlet
- With handlever

For material compatibility, contact us

CARACTERISTICS :

- PN40 (Nominal Pressure)
- ENDS : GAZ threads
- MATERIAL : BRONZE CC491K

MAXIMUM CONDITIONS OF USE :

- Ref. 379.Ø : 40 bar of -15°C to 200°C
- Ref. 379BPØ : 40 bar of -50°C to 200°C
- Ref. 379TØ : 40 bar of -50°C to 225°C
- Ref. 379MØ : 40 bar of -50°C to 225°C

APPLICATIONS :

- Hot water and industrial fluids
- Water-based fluids
- Steam up to 8 bar (FPM)
- Steam 8 to 15 bar (PTFE / Metal)
- Neutral gases (compressed air,...)

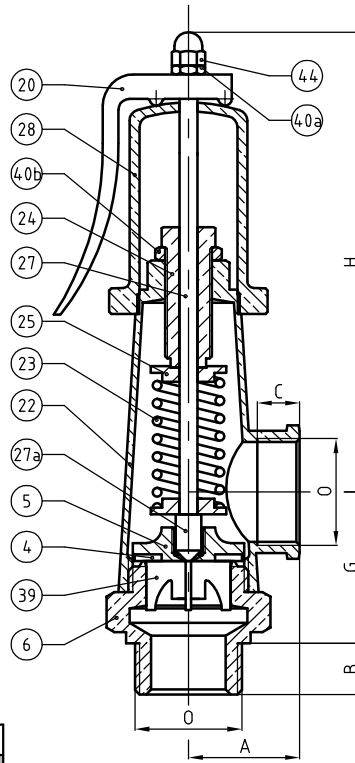
OPTIONS :

- NPT connection
- Flanges connection (378)
- Degreased disc

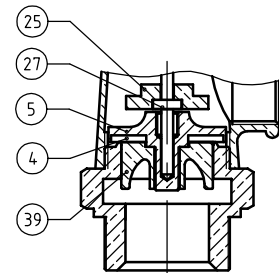
Specific dimensions, contact us



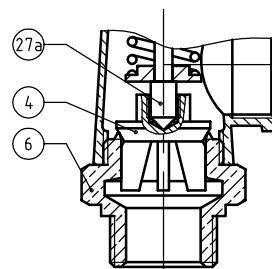
Subject to modifications



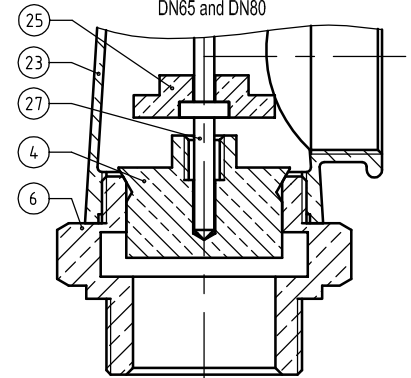
Ref. 379.Ø, 379BPØ and 379TØ
DN40 and DN50



Ref. 379.Ø, 379BPØ and 379TØ
DN65 and DN80



Ref. 379MØ
DN40 to DN65



Ref. 379MØ
DN80

NOMENCLATURE			
Rep	Qty	Designation	Material
4	1	DISC	379:FPM / 379BP:Silicone 379T:PTFE / 379M:BRONZE
5	1	DISC HOLDER	BRONZE
6	1	SEAT	BRONZE
20	1	LEVER	BRONZE
22	1	LANTERN	BRONZE
23	1	SPRING	STAINLESS STEEL
24	1	ADJUSTING SCREW	BRASS
25	2	CARRIER	BRASS (DN40/50) / BRONZE (DN 65/80)
27	1	NEEDLE	BRASS
27a	1	NOZZLE	BRASS
28	1	CAP	BRONZE
39	1	FIN	BRONZE
40a	1	NUT	BRASS
40b	1	NUT	BRASS
44	1	CAP NUT	BRASS

REFERENCES NORMS :

- Material : NF EN 1982 - NF EN 12163 - NF EN 12164 - NF EN 10272
- Testing & checking : NF EN 12266-1/-2 (bench test)

Ref. instruction of assembling : 0904DA091E

Ref. instruction of operation : 0904DA098E

Mounting & assembly guides are available on our website.

DIMENSIONS

DN	40	50	65	80
A (mm)	50	55	67	80
B (mm)	23	27	32	34
C (mm)	19	21	28	32
G (mm)	69	82	95	110
H (mm)	208	231	258	288
O	1"1/2	2"	2"1/2	3"
Weight (Kg)	2.950	4.150	6.670	10.67
S Inlet (mm ²)	881.4	1385.4	1963.5	3217.0
S Outlet (mm ²)	1578.7	2521.0	4095.0	5661.0

These data are for information and can be modified without notice. It is not up to us to appreciate specifications. It is up to the customer to verify the adequacy between the equipment chosen and the real conditions of use.