



AUTEXIER

MANUFACTURER OF INDUSTRIAL VALVES

93 Rue Louis Blanc - 02300 CHAUNY - FRANCE
 Phone : +33 (0)3 23 52 02 86 Fax : +33 (0)3 23 39 52 28
 Website : www.autexier.fr

Ref. 192 Family : 08

Rev. 01

Date : 07 Oct. 2021

Page 1/1

BRONZE DOUBLE WEDGE QUICK CLOSING GATE VALVE

Ref. 192.50 / 192T50

SERIES :

- 192
- Double wedge
- Taper seats

For material compatibility, contact us

CARACTERISTICS :

- PN10 (Nominal Pressure)
- ENDS : Flanges ISO PN16
- MATERIAL : BRONZE CC491K

MAXIMUM CONDITIONS OF USE :

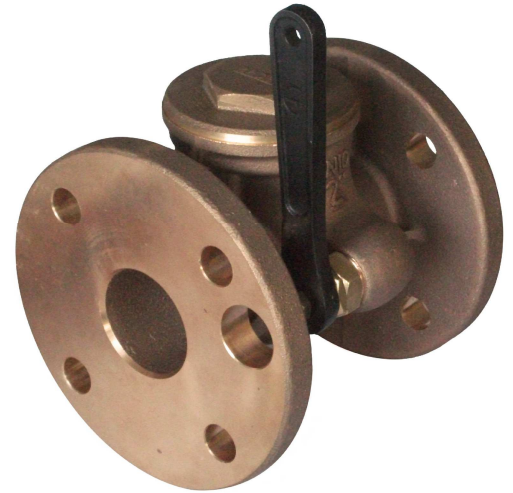
- 10 bar of -50°C to 225°C

APPLICATIONS :

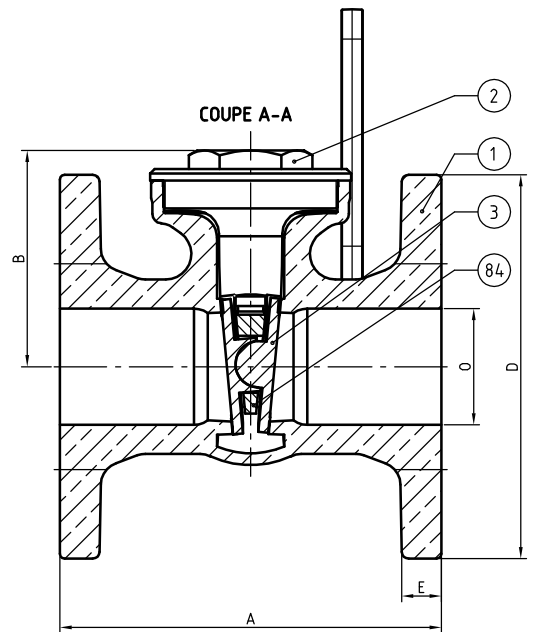
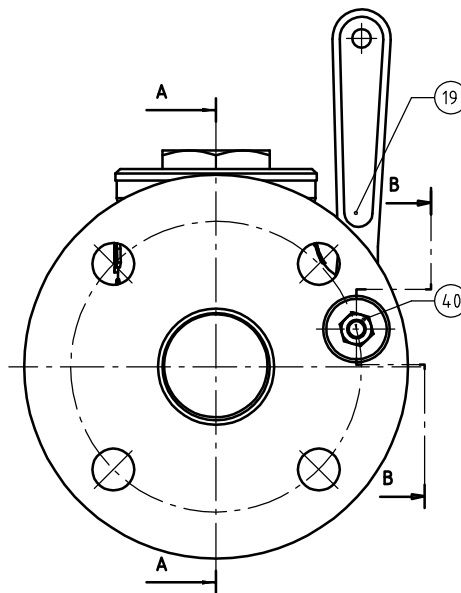
- Water-based fluids
- Steam (8 bar)
- Oil & gas

OPTIONS :

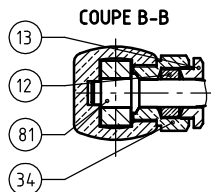
- Special drilling
- Specific dimensions, contact us*



Subject to modifications



DIMENSIONS	
DN	50
A (mm)	164
B (mm)	93
D (mm)	165
E (mm)	17
O (mm)	50
Weight (kg)	9.000



NOMENCLATURE			
Rep	Qty	Designation	Material
1	1	BODY	BRONZE
2	1	BONNET	BRONZE
3	1	DOUBLE WEDGE DISC	BRONZE
12	1	PACKING	92.Ø CERAMIC CORD /92TØ PTFE
13	1	PACKING GLAND	BRASS
19	1	HANDLE	CAST IRON
34	1	GUIDE	BRASS
40	1	NUT	BRASS
81	1	PIN	BRASS
84	1	SMALL ROD	BRONZE

REFERENCES NORMS :

- Material : NF EN 1982 - NF EN 12163 - NF EN 12164 - NF EN 10272
- Testing & checking : NF EN 12266-1/-2 (bench test)
- Flanges : NF EN 1092-3

Ref. instruction of assembling : 0904DA122E

Ref. instruction of operation : 0904DA085E

Mounting & assembly guides are available on our website.

These data are for information and can be modified without notice. It is not up to us to appreciate specifications. It is up to the customer to verify the adequacy between the equipment chosen and the real conditions of use.