



# AUTEXIER

MANUFACTURER OF INDUSTRIAL VALVES

93 Rue Louis Blanc - 02300 CHAUNY - FRANCE  
 Phone : +33 (0)3 23 52 02 86 Fax : +33 (0)3 23 39 52 28  
 Website : www.autexier.fr

Ref. 190/290/390 Family: 27

Rev. 00

Date : 17 June 2021

Page 1/1

## BRONZE SAFETY VALVE WITH FLANGES

Ref. 190.Ø / 190BPØ / 290.Ø / 390.Ø



**SERIES :**

- 190.Ø : FPM disc
  - 190BPØ : Silicone disc (low pressure)
  - 290.Ø : Metal disc
  - 390.Ø : PTFE disc
  - With lifting test handlever
- For material compatibility, contact us*

**CARACTERISTICS :**

- PN40 (Nominal Pressure)
- ENDS : ISO PN16 Flanges
- MATERIAL : BRONZE CC491K

**MAXIMUM CONDITIONS OF USE :**

- Ref. 190 : 40 bar of -15°C to 200°C
- Ref. 190BP : 40 bar of -50°C to 200°C
- Ref. 290 : 40 bar of -50°C to 225°C
- Ref. 390 : 40 bar of -50°C to 225°C

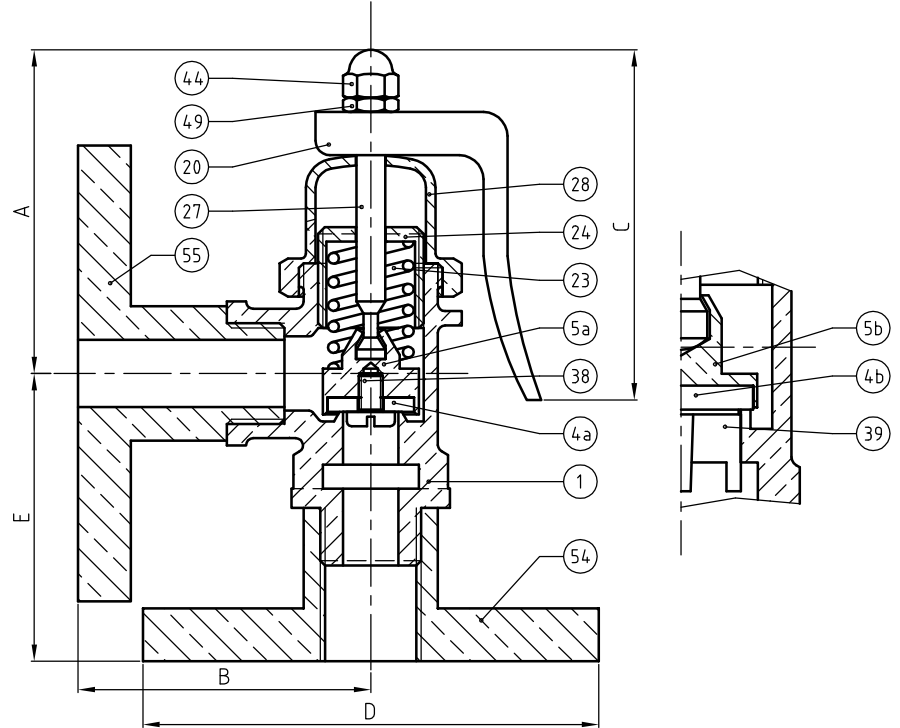
**APPLICATIONS :**

- Hot water and Industrial fluids
- Water-based fluids
- Steam up to 8 bar (FPM)
- Steam 8 to 15 bar (PTFE / Metal)
- Neutral gases (compressed air,...)

**OPTIONS :**

- Degreased disc
- Specific dimensions, contact us*

*Subject to modifications*



| DIMENSIONS     |       |       |       |        |
|----------------|-------|-------|-------|--------|
| DN             | 15    | 20    | 25    | 32     |
| A (mm)         | 88    | 100   | 120   | 149    |
| B (mm)         | 60    | 70    | 75    | 90     |
| C (mm)         | 30    | 35    | 40    | 45     |
| E (mm)         | 60    | 70    | 75    | 90     |
| D              | 1/2"  | 3/4"  | 1"    | 1 1/4" |
| O              | 1/2"  | 3/4"  | 1"    | 1 1/4" |
| Weight (Kg)    | 0.405 | 0.555 | 1.062 | 1.585  |
| S inlet (mm²)  | 103.9 | 227.0 | 490.9 | 706.9  |
| S outlet (mm²) | 272.6 | 456.8 | 720.6 | 1191.6 |

| NOMENCLATURE |     |                        |   |
|--------------|-----|------------------------|---|
| Rep          | Qty | Designation            | Material  |
| 1            | 1   | BODY                   | BRONZE  |
| 4a           | 1   | DISC (DN15-20)         | 190:FPM / 190BP:Silicone<br>290:ALU BRONZE / 390:PTFE |
| 4b           | 1   | DISC (DN25-32)         | 190:FPM / 190BP:Silicone<br>290:ALU BRONZE / 390:PTFE |
| 5a           | 1   | DISC HOLDER (DN15-20)  | BRASS   |
| 5b           | 1   | DISC HOLDER (DN25-32)  | BRASS   |
| 20           | 1   | LEVER                  | BRONZE  |
| 23           | 1   | SPRING                 | STAINLESS STEEL                                       |
| 24           | 1   | ADJUSTING SCREW        | BRASS   |
| 27           | 1   | NEEDLE                 | BRASS   |
| 28           | 1   | CAP                    | BRONZE  |
| 38           | 1   | SCREW (DN15-20)        | BRASS   |
| 39           | 1   | FIN (DN25-32)          | BRONZE  |
| 44           | 1   | CAP NUT                | BRASS (DN25-32)                                       |
| 49           | 1   | LOCK NUT               | BRASS (DN25-32)                                       |
| 54           | 1   | FEMALE THREADED FLANGE | BRONZE  |
| 55           | 1   | MALE THREADED FLANGE   | BRONZE  |
| 61           | 1   | PIN                    | STAINLESS STEEL                                       |

**REFERENCES NORMS :**

- Material : NF EN 1982 - NF EN 12163 - NF EN 12164 - NF EN 10272
- Testing & checking : NF EN 12266-1/-2 (bench test)

Ref. instruction of assembling : 0904DA091E

Ref. instruction of operation : 0904DA094E

**Mounting & assembly guides are available on our website.**

*These data are for information and can be modified without notice. It is not up to us to appreciate specifications. It is up to the customer to verify the adequacy between the equipment chosen and the real conditions of use.*