



AUTEXIER

MANUFACTURER OF INDUSTRIAL VALVES

93 Rue Louis Blanc - 02300 CHAUNY - FRANCE
 Phone : +33 (0)3 23 52 02 86 Fax : +33 (0)3 23 39 52 28
 Website : www.autexier.fr

Ref. 182 / 282 / 382 Family : 27

Rev. 07

Date : 31 July 2020

Page 1/1

BRONZE SAFETY VALVE

Ref. 182.Ø / 182BPØ / 282.Ø / 382.Ø

SERIES :

- 182.Ø : FPM disc
- 182BPØ : Silicone disc (low pressure)
- 282.Ø : PTFE disc
- 382.Ø : Metal disc
- Female inlet / female outlet
- With lifting test handlever

For material compatibility, contact us

CARACTERISTICS :

- PN40 (Nominal Pressure)
- ENDS : Female GAZ threads
- MATERIAL : BRONZE CC491K

MAXIMUM CONDITIONS OF USE :

- Ref. 182 : 40 bar of -15°C to 200°C
- Ref. 182BP : 40 bar of -50°C to 200°C
- Ref. 282 : 40 bar of -50°C to 225°C
- Ref. 382 : 40 bar of -50°C to 225°C

APPLICATIONS :

- Hot water and Industrial fluids
- Water-based fluids
- Steam up to 8 bar (FPM)
- Steam 8 to 15 bar (PTFE / Metal)
- Neutral gases (compressed air,...)

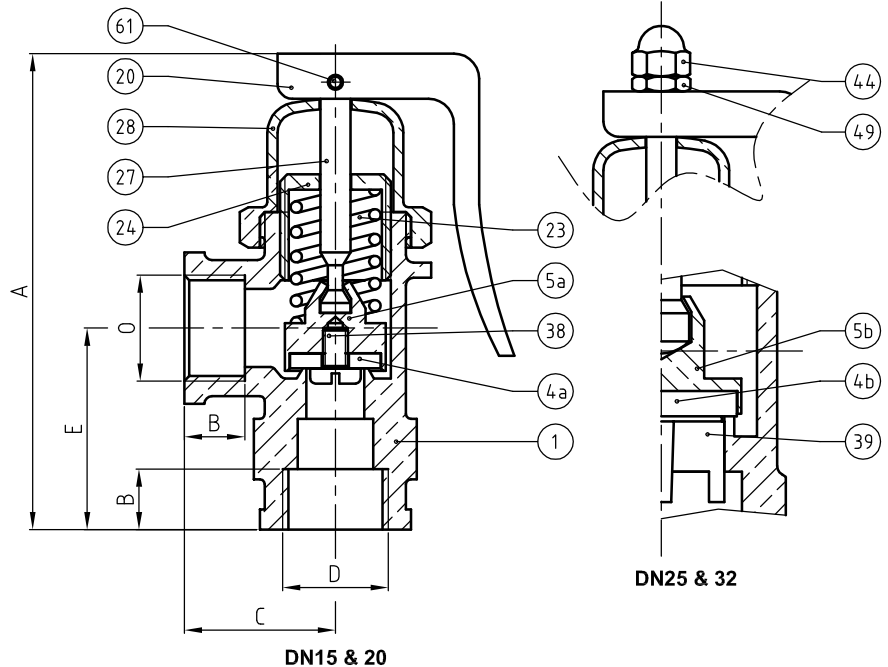
OPTIONS :

- Nickel coating
- Flanged or NPT connection
- Degreased disc

Specific dimensions, contact us



Subject to modifications



DIMENSIONS				
DN	15	20	25	32
A (mm)	100	114	136	167
B (mm)	12	14	16	18
C (mm)	30	35	40	45
E (mm)	40	49	55	61
D	1/2"	3/4"	1"	1 1/4"
O	1/2"	3/4"	1"	1 1/4"
Weight (Kg)	0.405	0.555	1.062	1.585
S inlet (mm²)	272.6	456.8	720.6	1191.6
S outlet (mm²)	272.6	456.8	720.6	1191.6

NOMENCLATURE			
Rep	Qty	Designation	Material
1	1	BODY	BRONZE
4a	1	DISC (DN15-20)	182:FPM / 182BP:Silicone 282:PTFE / 382:ALU BRONZE
4b	1	DISC (DN25-32)	182:FPM / 182BP:Silicone 282:PTFE / 382:ALU BRONZE
5a	1	DISC HOLDER (DN15-20)	BRASS
5b	1	DISC HOLDER (DN25-32)	BRASS
20	1	LEVER	BRONZE
23	1	SPRING	STAINLESS STEEL
24	1	ADJUSTING SCREW	BRASS
27	1	NEEDLE	BRASS
28	1	CAP	BRONZE
38	1	SCREW (DN15-20)	BRASS
39	1	FIN (DN25-32)	BRONZE
44	1	CAP NUT	BRASS (DN25-32)
49	1	LOCK NUT	BRASS (DN25-32)
61	1	PIN	STAINLESS STEEL

REFERENCES NORMS :

- Material : NF EN 1982 - NF EN 12163 - NF EN 12164 - NF EN 10272
- Testing & checking : NF EN 12266-1/-2 (bench test)

Ref. instruction of assembling : 0904DA091E

Ref. instruction of operation : 0904DA094E

Mounting & assembly guides are available on our website.

These data are for information and can be modified without notice. It is not up to us to appreciate specifications. It is up to the customer to verify the adequacy between the equipment chosen and the real conditions of use.