



AUTEXIER

MANUFACTURER OF INDUSTRIAL VALVES

93 Rue Louis Blanc - 02300 CHAUNY - FRANCE
 Phone : +33 (0)3 23 52 02 86 Fax : +33 (0)3 23 39 52 28
 Website : www.autexier.fr

Ref. AU3299 Family: 46

Rev. 04

Date : 22 July 2020

Page 1/1

ALUMINIUM BRONZE FIRE HYDRANT ANGLE VALVE

Ref. AU3299.Ø

SERIES :

- AU3299.Ø

For material compatibility, contact us

CARACTERISTICS :

- PN16 (Nominal Pressure)

- ENDS : Guillemín outlet coupling

Inlet flange ISO PN16

- MATERIAL : ALUMINIUM BRONZE CC333G

MAXIMUM CONDITIONS OF USE :

- 16 bar of -10°C to 100°C

APPLICATIONS :

- Fire networks

- Seawater

OPTIONS :

- Special drilling

- Double tightness packing

Specific dimensions, contact us



Registered design by AUTEXIER Company
 Subject to modifications

NOMENCLATURE			
Rep	Qty	Designation	Material
1	1	BODY	ALUMINIUM BRONZE
2	1	BONNET	ALUMINIUM BRONZE
4	1	DISC	NBR
5	1	DISC HOLDER	ALUMINIUM BRONZE
7	1	STEM	ALUMINIUM BRONZE
8	1	HANDWHEEL	EPOXY COATED ZAMAK / STEEL (DN65)
37	1	PLUG (according to Ref)	BRONZE
40a	1	NUT	STAINLESS STEEL
40b	1	NUT	STAINLESS STEEL
41a	1	WASHER	STAINLESS STEEL / ALUMINIUM BRONZE (DN65)
41b	1	WASHER	STAINLESS STEEL / ALUMINIUM BRONZE (DN65)
45a	1	O-RING / GASKET	FPM / ELASTOMER + FIBER (DN65)
45b	1	GASKET	FPM
68	1	CHAIN	STAINLESS STEEL
69	1	FITTING (according to Ref)	BRONZE

Fitting	GUILLEMIN		
	without	without	with
Ref. DN40 (outlet DN40)	AU3299.40	AU3299.40DG	AU3299.40DH
Ref. DN40 (outlet DN50)	AU3299.41	AU3299.41DG	AU3299.41DH
Ref. DN50 (outlet DN50)	AU3299.50	AU3299.50DG	AU3299.50DH
Ref. DN65 (outlet DN65)	AU3299.65	AU3299.65DG	AU3299.65DH

REFERENCES NORMS :

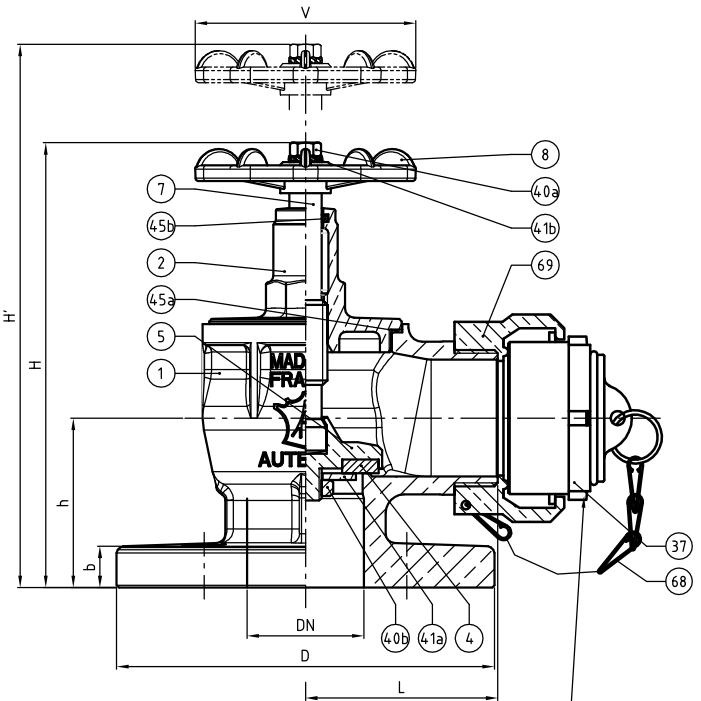
- Material : NF EN 1982 - NF EN 12164 - NF EN 10272

- Testing & checking : NF EN 12266-1/-2 (bench test)

Ref. instruction of assembling : 0904DA119E

Ref. instruction of operation : 0904DA120E

Mounting & assembly guides are available on our website.



Plug with 3 holes Ø 3mm at 120°C on request

DIMENSIONS			
DN	40	50	65
D (mm)	150	165	185
H (mm)	176	203	215
H' Maxi (mm)	210	235	260
h (mm)	66	74	82
b (mm)	16	18	17
L (mm)	78	84	80
V (mm)	110	110	150

These data are for information and can be modified without notice. It is not up to us to appreciate specifications. It is up to the customer to verify the adequacy between the equipment chosen and the real conditions of use.