



# AUTEXIER

MANUFACTURER OF INDUSTRIAL VALVES

93 Rue Louis Blanc - 02300 CHAUNY - FRANCE  
 Phone : +33 (0)3 23 52 02 86 Fax : +33 (0)3 23 39 52 28  
 Website : www.autexier.fr

Ref. A3299 Family : 46

Rev. 04

Date : 21 July 2020

Page 1/1

## BRONZE FIRE HYDRANT ANGLE VALVE Ref. A3299.Ø

**SERIES :**

- A3299.Ø

*For material compatibility, contact us*

**CHARACTERISTICS :**

- PN16 (Nominal Pressure)
- ENDS : Storz outlet coupling  
 Inlet flange ISO PN16
- MATERIAL : BRONZE CC491K

**MAXIMUM CONDITIONS OF USE :**

- 16 bar of -15°C to 100°C

**APPLICATIONS :**

- Fire networks
- Seawater

**OPTIONS :**

- Special drilling
- Double tightness packing

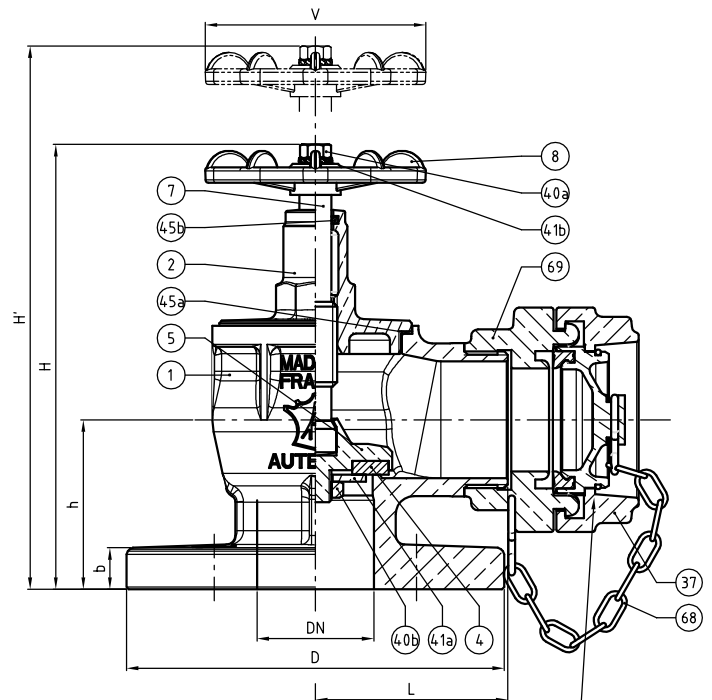
*Specific dimensions, contact us*



Registered design by AUTEXIER Company  
 Subject to modifications

NOMENCLATURE			
Rep	Qty	Designation	Material
1	1	BODY	BRONZE
2	1	BONNET	BRONZE
4	1	DISC	NBR
5	1	DISC HOLDER	BRONZE
7	1	STEM	ALUMINIUM BRONZE
8	1	HANDWHEEL	EPOXY COATED ZAMAK/STEEL(DN65)
37	1	PLUG (according to Ref)	BRASS
40a	1	NUT	STAINLESS STEEL
40b	1	NUT	STAINLESS STEEL
41a	1	WASHER	STAINLESS STEEL / BRONZE (DN65)
41b	1	WASHER	STAINLESS STEEL
45a	1	O-RING / GASKET	FPM/ELASTOMER + FIBER(DN65)
45b	1	O-RING	FPM
68	1	CHAIN	STAINLESS STEEL
69	1	FITTING (according to Ref)	BRASS

Fitting	without	STORZ	
	without	without	with
Ref. DN40 (outlet DN40)	A3299.40	A3299.40DI	A3299.40DJ
Ref. DN40 (outlet DN50)	A3299.41	A3299.41DI	A3299.41DJ
Ref. DN50 (outlet DN50)	A3299.50	A3299.50DI	A3299.50DJ
Ref. DN65 (outlet DN65)	A3299.65	A3299.65DI	A3299.65DJ



Plug with 3 holes Ø 3mm at 120°C on request

DIMENSIONS			
DN	40	50	65
D (mm)	150	165	185
H (mm)	176	203	215
H' Maxi (mm)	210	235	260
h (mm)	66	74	82
b (mm)	16	18	17
L (mm)	78	84	80
V (mm)	110	110	150

**REFERENCES NORMS :**

- Material : NF EN 1982 - NF EN 12164 - NF EN 10272
- Testing & checking : NF EN 12266-1/-2 (bench test)
- Flange : NF EN 1092-3

Ref. instruction of assembling : 0904DA119E

Ref. instruction of operation : 0904DA120E

**Mounting & assembly guides are available on our website.**

*These data are for information and can be modified without notice. It is not up to us to appreciate specifications. It is up to the customer to verify the adequacy between the equipment chosen and the real conditions of use.*