



AUTEXIER

MANUFACTURER OF INDUSTRIAL VALVES

93 Rue Louis Blanc - 02300 CHAUNY - FRANCE
 Phone : +33 (0)3 23 52 02 86 Fax : +33 (0)3 23 39 52 28
 Website : www.autexier.fr

Ref. A3299 Family : 46

Rev. 04

Date : 21 July 2020

Page 1/1

BRONZE FIRE HYDRANT ANGLE VALVE Ref. A3299.Ø

SERIES :

- A3299.Ø

For material compatibility, contact us

CHARACTERISTICS :

- PN16 (Nominal Pressure)
- ENDS : Guillemín outlet coupling
 Inlet flange ISO PN16
- MATERIAL : BRONZE CC491K

MAXIMUM CONDITIONS OF USE :

- 16 bar of -15°C to 100°C

APPLICATIONS :

- Fire networks
- Seawater

OPTIONS :

- Special drilling
- Double tightness packing

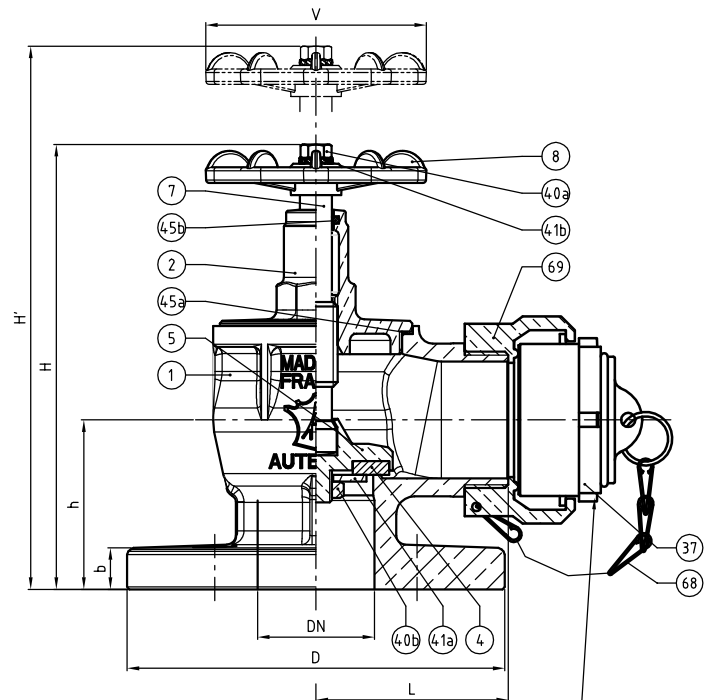
Specific dimensions, contact us



Registered design by AUTEXIER Company
 Subject to modifications

NOMENCLATURE			
Rep	Qty	Designation	Material
1	1	BODY	BRONZE
2	1	BONNET	BRONZE
4	1	DISC	NBR
5	1	DISC HOLDER	BRONZE
7	1	STEM	ALUMINIUM BRONZE
8	1	HANDWHEEL	EPOXY COATED ZAMAK/STEEL(DN65)
37	1	PLUG (according to Ref)	BRONZE
40a	1	NUT	STAINLESS STEEL
40b	1	NUT	STAINLESS STEEL
41a	1	WASHER	STAINLESS STEEL / BRONZE (DN65)
41b	1	WASHER	STAINLESS STEEL
45a	1	O-RING / GASKET	FPM/ELASTOMER + FIBER(DN65)
45b	1	O-RING	FPM
68	1	CHAIN	STAINLESS STEEL
69	1	FITTING (according to Ref)	BRONZE

Fitting	GUILLEMIN		
	without	without	with
Ref. DN40 (outlet DN40)	A3299.40	A3299.40DG	A3299.40DH
Ref. DN40 (outlet DN50)	A3299.41	A3299.41DG	A3299.41DH
Ref. DN50 (outlet DN50)	A3299.50	A3299.50DG	A3299.50DH
Ref. DN65 (outlet DN65)	A3299.65	A3299.65DG	A3299.65DH



Plug with 3 holes Ø 3mm at 120°C on request

DIMENSIONS			
DN	40	50	65
D (mm)	150	165	185
H (mm)	176	203	215
H' Maxi (mm)	210	235	260
h (mm)	66	74	82
b (mm)	16	18	17
L (mm)	78	84	80
V (mm)	110	110	150

REFERENCES NORMS :

- Material : NF EN 1982 - NF EN 12164 - NF EN 10272
- Testing & checking : NF EN 12266-1/-2 (bench test)
- Flange : NF EN 1092-3

Ref. instruction of assembling : 0904DA119E

Ref. instruction of operation : 0904DA120E

Mounting & assembly guides are available on our website.

These data are for information and can be modified without notice. It is not up to us to appreciate specifications. It is up to the customer to verify the adequacy between the equipment chosen and the real conditions of use.