



AUTEXIER

MANUFACTURER OF INDUSTRIAL VALVES

93 Rue Louis Blanc - 02300 CHAUNY - FRANCE
Phone : +33 (0)3 23 52 02 86 Fax : +33 (0)3 23 39 52 28
Website : www.autexier.fr

Ref. 305 Family : 18

Rev. 01

Date : 01 July. 2021

Page 1/1

BRONZE VERTICAL LIFT CHECK VALVE WITH FLANGES

Ref. 305TØ

SERIES :

- 305T

For material compatibility, contact us

CHARACTERISTICS :

- PN20 (Nominal Pressure)
- ENDS : ISO Flanges PN16
- MATERIAL : BRONZE CC491K

MAXIMUM CONDITIONS OF USE :

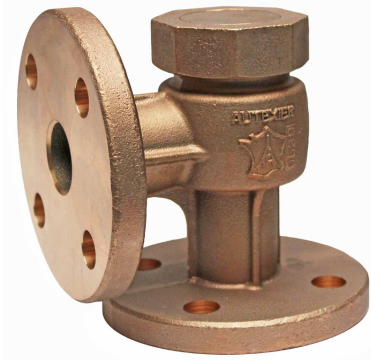
- 20 bar of -15°C to 200°C

APPLICATIONS :

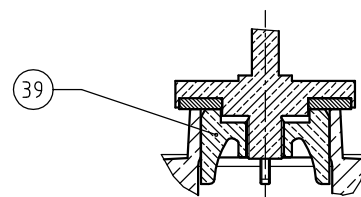
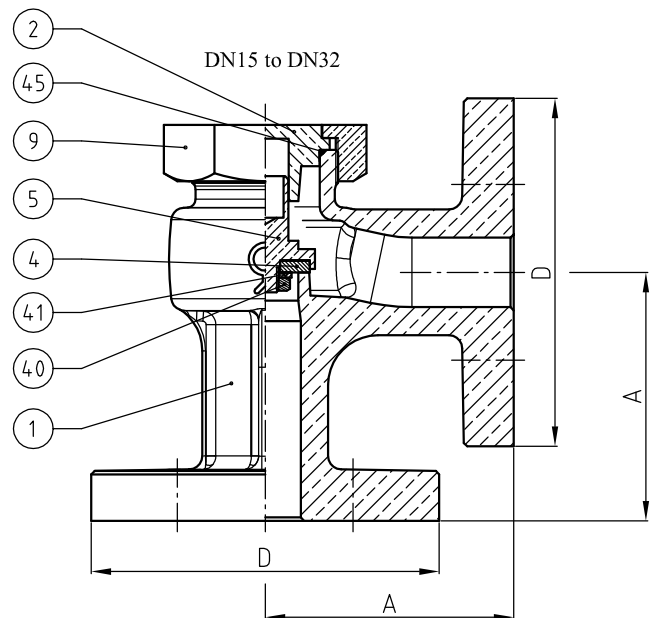
- Water-based fluids
- Steam (16 bar)
- Non toxic gases
- Water

OPTIONS :

- Special drilling
 - ASA 150 flanges (PN20)
 - Stainless steel springloaded
- Specific dimensions, contact us*



Subject to modifications



NOMENCLATURE

Rep	Qty	Designation	Material
1	1	BODY	BRONZE
2	1	BONNET	BRONZE
4	1	DISC	PTFE
5	1	DISC HOLDER	BRONZE
7	1	STEM	BRASS
9	1	BONNET NUT	BRONZE
39	1	FIN (DN40 and DN50)	BRONZE
40	1	NUT	STAINLESS STEEL
41	1	WASHER	STAINLESS STEEL
45	1	O-RING	FPM

REFERENCES NORMS :

- Material : NF EN 1982 - NF EN 12163 - NF EN 12164 - NF EN 10272
- Testing & checking : NF EN 12266-1/-2 (bench test)
- Face to face : NF EN 558 - Series 22 / 23
- Flanges : NF EN 1092-3

Ref. instruction of assembling : 0904DA109E

Ref. instruction of operation : 0904DA110E

Mounting & assembly guides are available on our website.

DIMENSIONS

DN	15	20	25	32	40	50	65
A (mm)	65 / 70	70 / 75	80 / 85	90 / 95	95 / 100	105 / 115	115 / 125
B (mm)	70	80	90	90	110	110	110
D (mm)	95	105	115	140	150	165	185
Weight (Kg)	--	3.010	--	6.220	--	--	--

These data are for information and can be modified without notice. It is not up to us to appreciate specifications. It is up to the customer to verify the adequacy between the equipment chosen and the real conditions of use.