



AUTEXIER

MANUFACTURER OF INDUSTRIAL MARINE AND OIL & GAS VALVES
IN BRONZE AND ALUMINIUM-BRONZE

93, rue Louis Blanc - 02300 CHAUNY - FRANCE
Tel : +33 (0)3.23.52.02.86 - Fax : +33 (0)3.23.39.52.28
www.autexier.fr

Instruction for use for gate valves

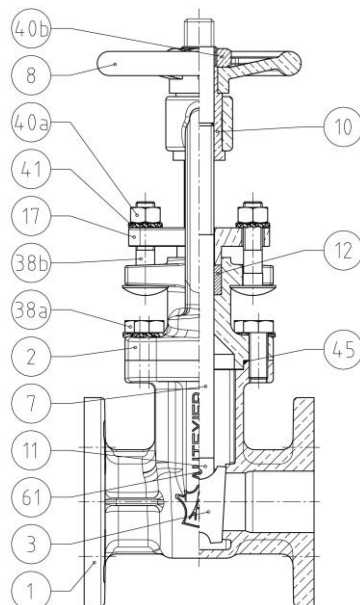


593, AU593 and AN593

Operation

This gate valve opens and shuts by turning the *handwheel 8*. This rotation lifts or lowers the *double wedge disc 3* and the *rising stem 7* non-rotating, through *stem nut 10*, thanks to a spiral link (screw/nut connections). Sealing is ensured by means of a *packing flange 17* and a *packing 12*. This stack is assembled by us in the factory. When the valve is fully open, the *stem 7* protrudes from the valve by the *stem nut 10*.

Ref. 593 / AU593 / AN593



Ref. AU593

