

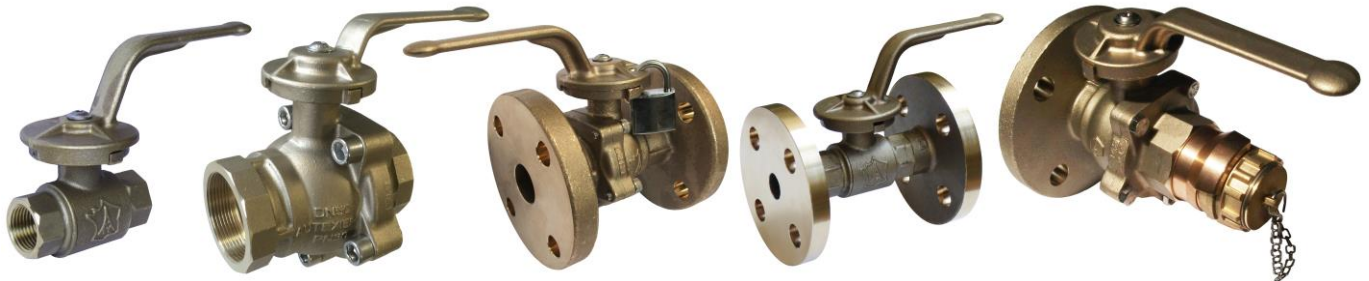


AUTEXIER

**MANUFACTURER OF INDUSTRIAL MARINE AND OIL & GAS VALVES
IN BRONZE AND ALUMINIUM-BRONZE**

93, rue Louis Blanc - 02300 CHAUNY - FRANCE
Tel : +33 (0)3.23.52.02.86 - Fax : +33 (0)3.23.39.52.28
www.autexier.fr

Instruction for use for ball valves

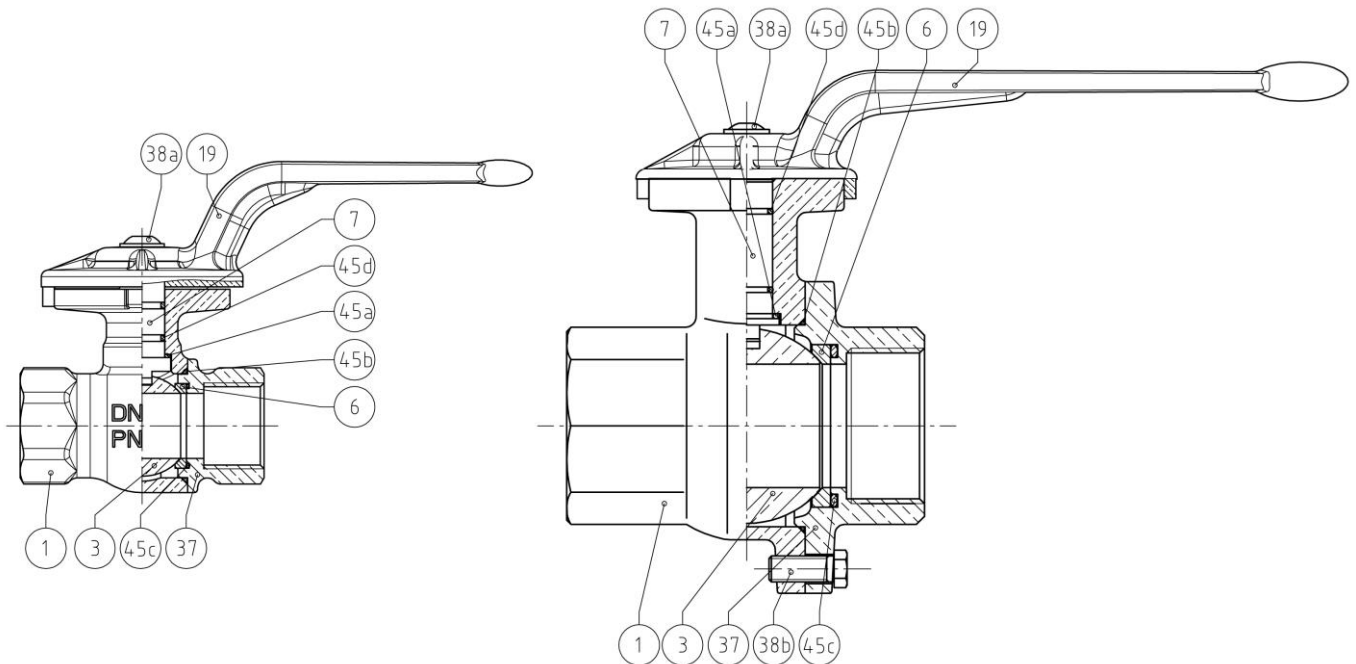


A70, AU70, AN70, A71, AU71, AN71, A72, AU72 and AN72

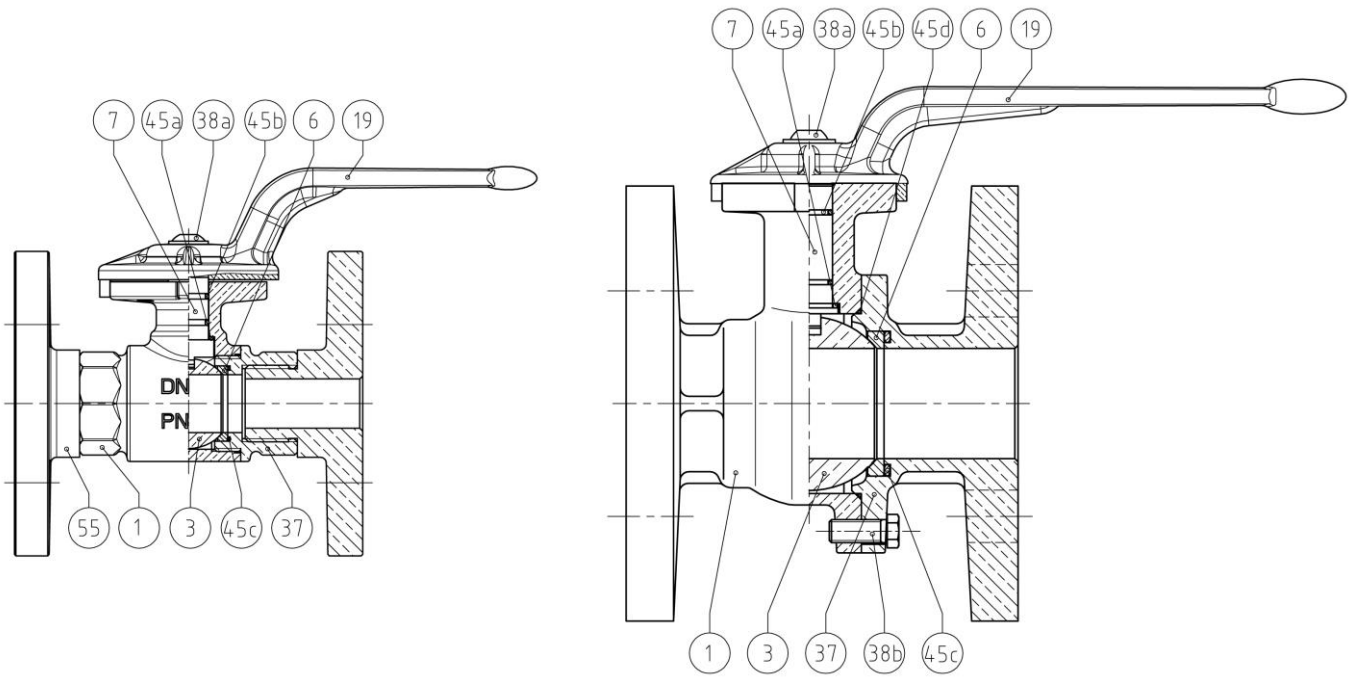
Operation

It operates manually using the *handle 19*, or automatically with a servomotor. If the *handle 19* is in the axis of the piping, the valve is opened. And if the handle is at 90° to axis of piping, the valve is closed.
The references A72, AU72 and AN72 are equipped with Guillemin fitting.

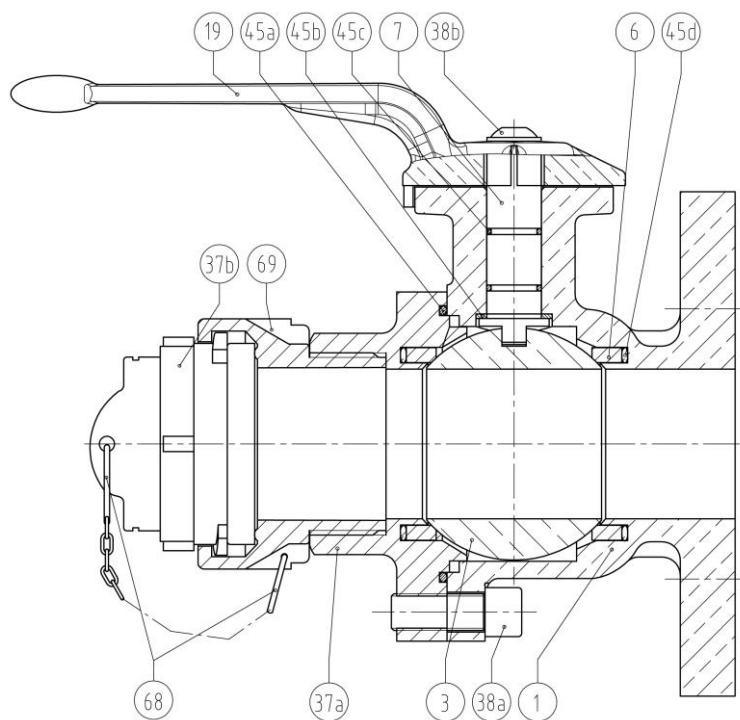
Ref. A70 / AU70 / AN70



Réf. A71 / AU71 / AN71



Réf. A72 / AU72 / AN72



Ref. Document 0904DA136E version01 of 06 July 2021

