



**AUTEXIER**

**MANUFACTURER OF INDUSTRIAL MARINE AND OIL & GAS VALVES  
IN BRONZE AND ALUMINIUM-BRONZE**

93, rue Louis Blanc - 02300 CHAUNY - FRANCE  
Tel : +33 (0)3.23.52.02.86 - Fax : +33 (0)3.23.39.52.28  
[www.autexier.fr](http://www.autexier.fr)

## Instruction for use for lift vertical check valves

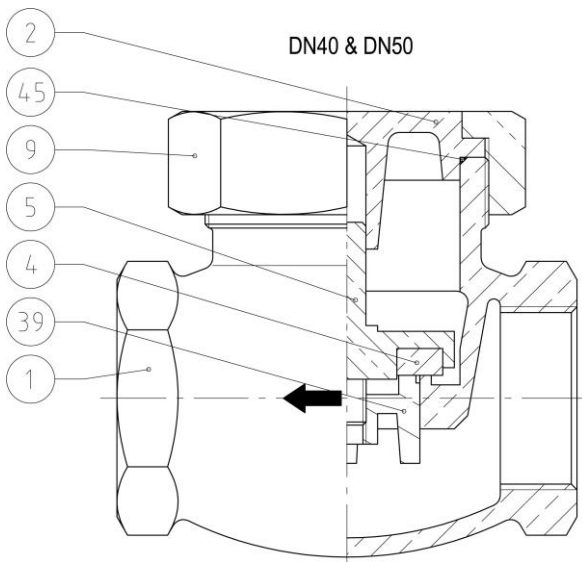


**104, AU104, AN104, 404, AU404, AN404, 105, AU105, AN105, 305, AU305, AN305, 405, AU405 and AN405**

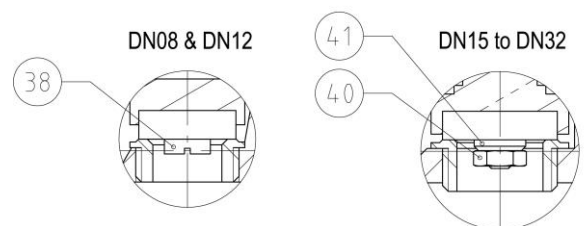
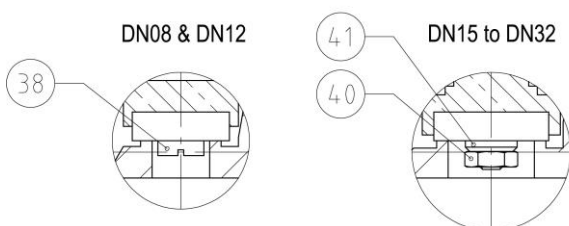
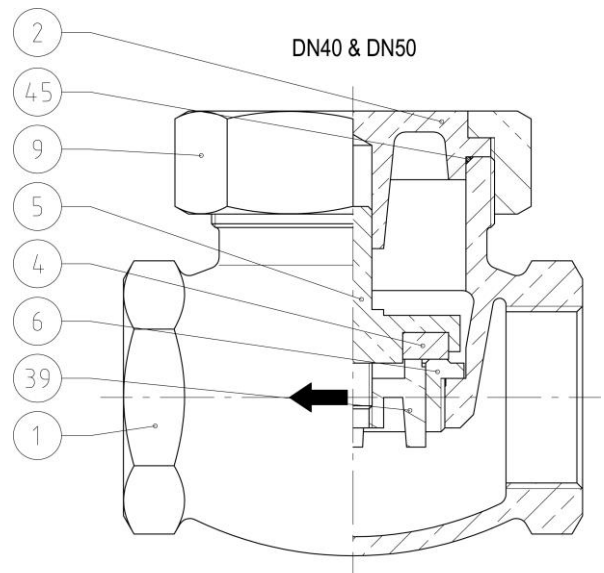
### Operation

When the fluid flows in the direction of arrow stamped on the *body 1*, it tends to lift the *disk 4* and the *disk holder 5*. However, if the direction of the fluid flows is in the opposite direction to the direction of arrow, the *disk 4* covers its support (on *body 1* for references 104, AU104, AN104, 105, AU105, AN105, 305, AU305 and AN305 or on the *seat 6* which is screwed on the *body 1*, this for references 404 and 405) and the fluid flow is interrupted. The movement of the *disk holder 5* is guided by the *bonnet 2*, bonnet which is set up by the *bonnet nut 9*, screwed into the *body 1*. In some cases, the *disk holder 5* is also guided in its movement through the *fins 39* that slide within the *body 1*.

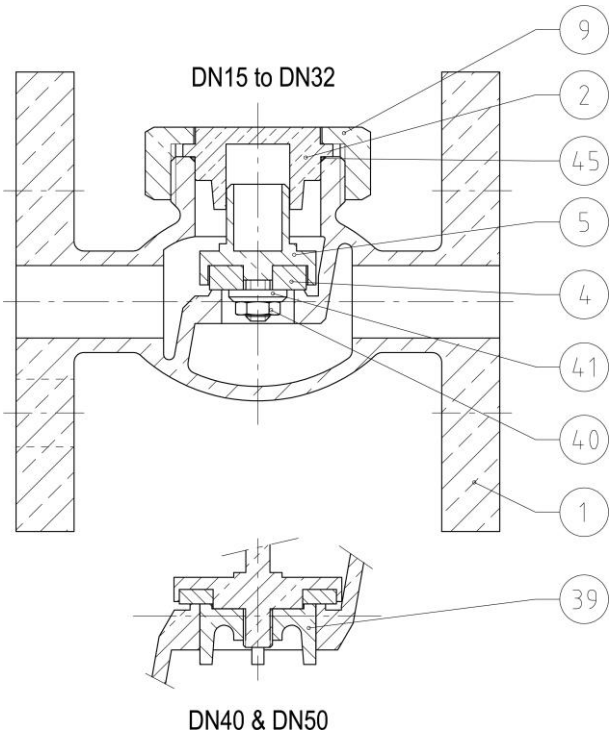
Ref. 104 / AU104 / AN104



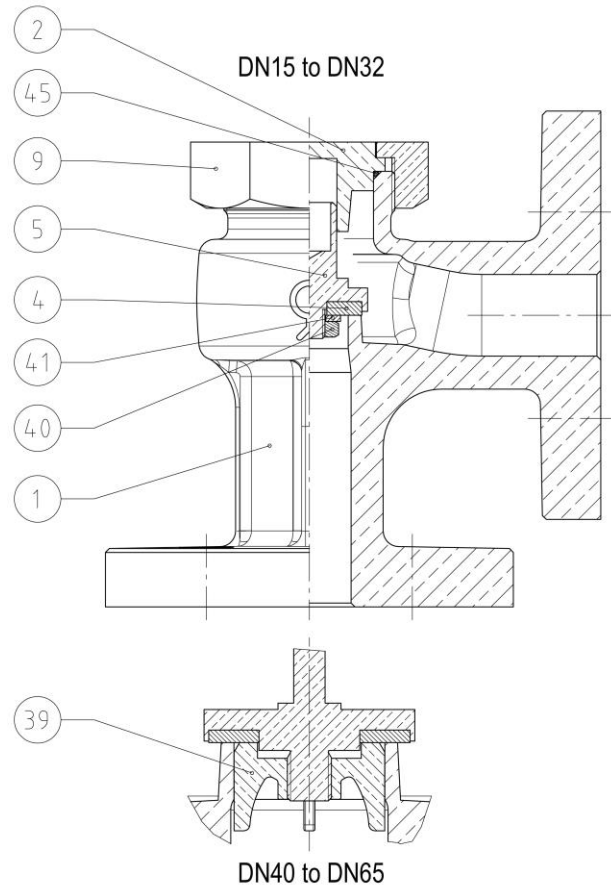
Ref. 404 / AU404 / AN404



Ref. 105 / AU105 / AN105



Ref. 305 / AU305 / AN305



Ref. 405 / AU405 / AN405

