



AUTEXIER

**MANUFACTURER OF INDUSTRIAL MARINE AND OIL & GAS VALVES
IN BRONZE AND ALUMINIUM-BRONZE**

93, rue Louis Blanc - 02300 CHAUNY - FRANCE
Tel : +33 (0)3.23.52.02.86 - Fax : +33 (0)3.23.39.52.28
www.autexier.fr

Instruction for use for globe valves



100C, T, TB, J and JCL / A100C and CCS / AU100C

102C, T, CNP, TNP and special face-to-face / AU102C, CNP, T, TNP and special face-to-face

103C and T / 302T / 400A, CA, T / A400CL / 402A and T / 430A and T / 432A and T

Operation

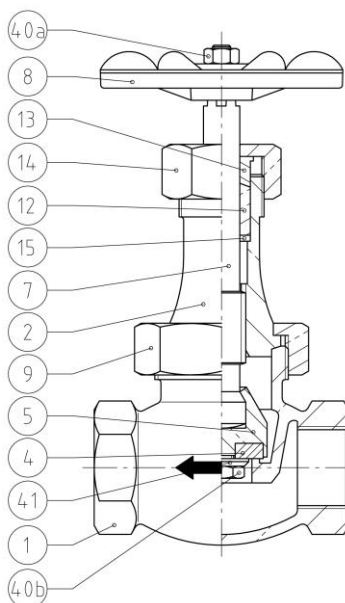
This globe valve opens and shuts by turning the wheel **8**. This rotation lifts or lowers the *disk* **4** thanks to a spiral link (screw/nut connections) between the *stem* **7** and the *bonnet* **2**.

Concerning reference A400CL, the *disk-holder* **5** is assembled free. When the valve is closed, the fluid presses the *disk* **4** which makes itself pressure on the *disk holder* **5** and the *stem* **7**.

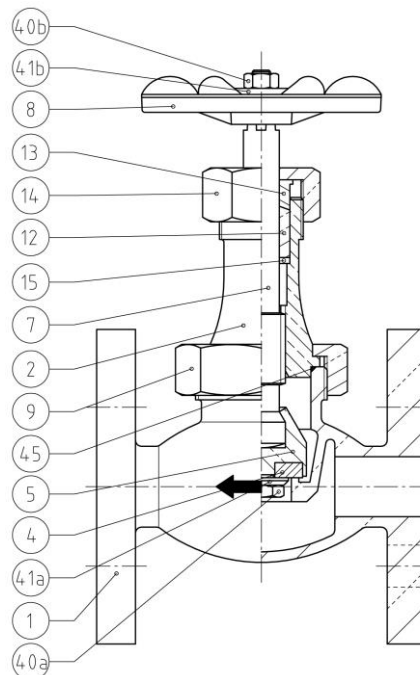
Please respect the direction of the fluid indicated by the arrow.

The type of disk can vary depending on the reference. The color of the *washer* **41b** permits to identify the material used for the disk (white washer for a PTFE disk on a bronze seat, red washer for a stainless disk on a bronze seat, yellow washer for a PTFE disk on a stainless seat, and no *washer* **41b** for a bronze disk on a bronze seat). The *wheel* **8** is painted black for the reference A400CL.

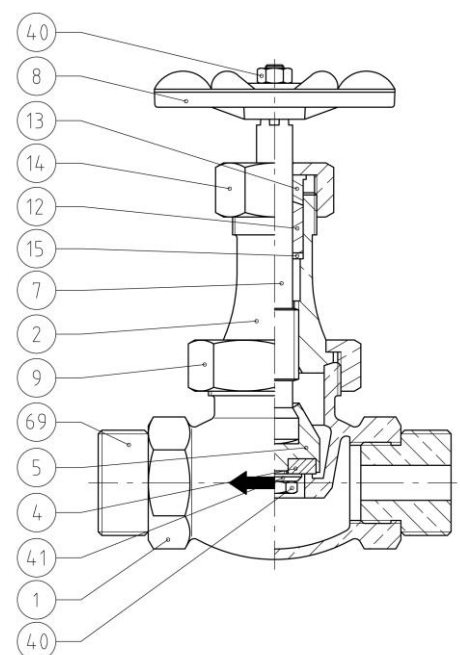
Ref. 100 / 400 / 430



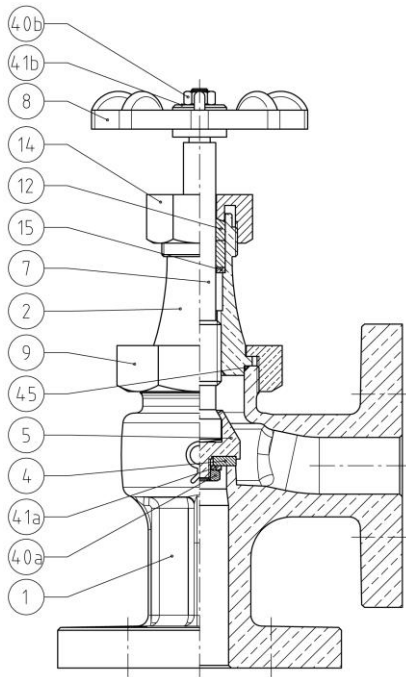
Ref. 102 / 402 / 432



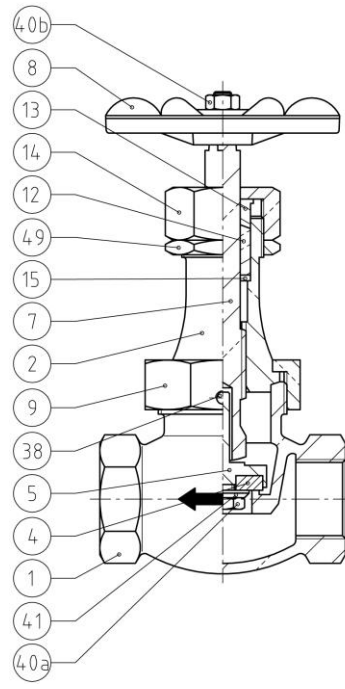
Ref. 103



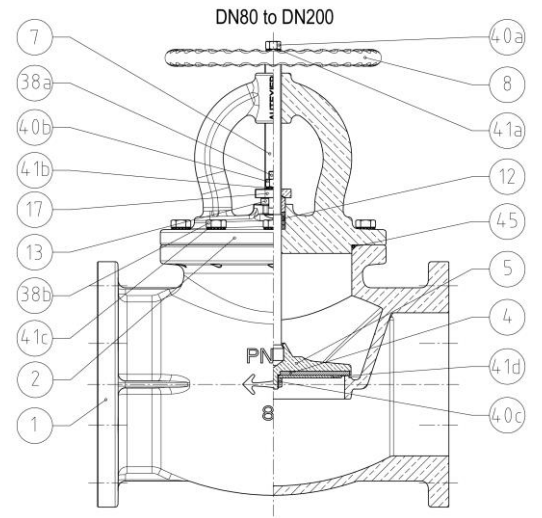
Ref. 302



Ref. A400CL



Ref. AU102



Ref. Document 0904DA88E version 04 of 06 July 2021

