



AUTEXIER

MANUFACTURER OF INDUSTRIAL VALVES

93 Rue Louis Blanc - 02300 CHAUNY - FRANCE
Phone : +33 (0)3 23 52 02 86 Fax : +33 (0)3 23 39 52 28
Website : www.autexier.fr

Ref. UA3261 Family : 42

Rev. 00

Date : 23 June 2021

Page 1/1

ALUMINIUM BRONZE FEMALE / MALE REDUCER Ref. UA3261.Ø

SERIES :

- UA3261

For material compatibility, contact us

CARACTERISTICS :

- PN40 (Nominal Pressure)
- ENDS : Female / Male BSP threaded
- MATERIAL : ALUMINIUM BRONZE CW307G

MAXIMUM CONDITIONS OF USE :

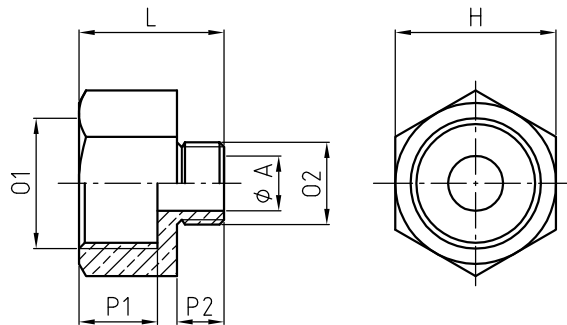
- 40 bar of -10°C to 200°C



Subject to modifications

APPLICATIONS :

- Water-based fluids
- Water
- Seawater



DIMENSIONS										
Reference	DN1	DN2	ØA (mm)	H (mm)	L (mm)	O1	O2	P1 (mm)	P2 (mm)	Weight (Kg)
UA3261.2508	25	08	6	41	34	G 1	G 1/4	20	9	0.171
UA3261.2515	25	15	14	41	37	G 1	G 1/2	20	12	0.176

REFERENCES NORMS :

- Material : NF EN 1982 - NF EN 12163 - NF EN 12164 - NF EN 10272
- Testing & checking : NF EN 12266-1/-2 (bench test)

Ref. instruction of assembling :

Ref. instruction of operation :

**Mounting & assembly guides are available
on our website.**

These data are for information and can be modified without notice. It is not up to us to appreciate specifications. It is up to the customer to verify the adequacy between the equipment chosen and the real conditions of use.