



AUTEXIER

MANUFACTURER OF INDUSTRIAL VALVES

93 Rue Louis Blanc - 02300 CHAUNY - FRANCE
Phone : +33 (0)3 23 52 02 86 Fax : +33 (0)3 23 39 52 28
Website : www.autexier.fr

Ref. UA3260 Family : 42

Rev. 00

Date : 23 June 2021

Page 1/1

ALUMINIUM BRONZE FEMALE / MALE REDUCER Ref. UA3260.Ø

SERIES :

- UA3260

For material compatibility, contact us

CARACTERISTICS :

- PN40 (Nominal Pressure)

- ENDS : Female / Male BSP threaded

- MATERIAL : ALUMINIUM BRONZE CW307G



MAXIMUM CONDITIONS OF USE :

- 40 bar of -10°C to 200°C

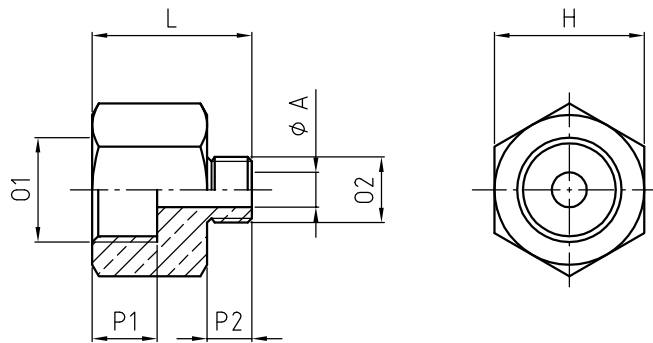
Subject to modifications

APPLICATIONS :

- Water-based fluids

- Water

- Seawater



DIMENSIONS										
Reference	DN1	DN2	ØA (mm)	H (mm)	L (mm)	O1	O2	P1 (mm)	P2 (mm)	Weight (Kg)
UA3260.1208	12	08	7	21	24	G 3/8	G 1/4	11	9	0.034
UA3260.1508	15	08	7	30	32	G 1/2	G 1/4	13	9	0.112
UA3260.1512	15	12	7	30	32	G 1/2	G 3/8	13	9	0.117
UA3260.2008	20	08	7	36	39	G 3/4	G 1/4	18	9	0.195
UA3260.2015	20	15	15	30	39	G 3/4	G 1/2	18	14	0.093

REFERENCES NORMS :

- Material : NF EN 1982 - NF EN 12163 - NF EN 12164 - NF EN 10272

- Testing & checking : NF EN 12266-1/-2 (bench test)

Ref. instruction of assembling :

Ref. instruction of operation :

**Mounting & assembly guides are available
on our website.**

These data are for information and can be modified without notice. It is not up to us to appreciate specifications. It is up to the customer to verify the adequacy between the equipment chosen and the real conditions of use.