



# AUTEXIER

MANUFACTURER OF INDUSTRIAL VALVES

93 Rue Louis Blanc - 02300 CHAUNY - FRANCE  
Phone : +33 (0)3 23 52 02 86 Fax : +33 (0)3 23 39 52 28  
Website : www.autexier.fr

Ref. UA3241 Family : 42

Rev. 00

Date : 24 June 2021

Page 1/1

## ALUMINIUM BRONZE MALE / FEMALE REDUCER Ref. UA3241.Ø

### SERIES :

- UA3241

*For material compatibility, contact us*

### CARACTERISTICS :

- PN40 (Nominal Pressure)
- ENDS : Male / Female BSP threaded
- MATERIAL : ALUMINIUM BRONZE CW307G

### MAXIMUM CONDITIONS OF USE :

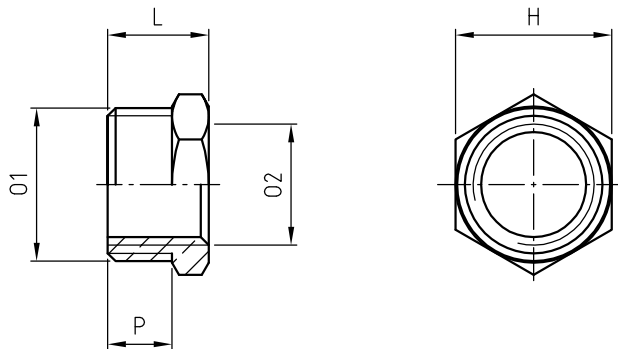
- 40 bar of -10°C to 200°C



*Subject to modifications*

### APPLICATIONS :

- Water-based fluids
- Water
- Seawater



### DIMENSIONS

Reference	DN1	DN2	H (mm)	L (mm)	O1	O2	P (mm)	Weight (Kg)
UA3241.1208	12	08	17	11	G 3/8	G 1/4	7	0.012
UA3241.1508	15	08	23	21	G 1/2	G 1/4	15	0.050
UA3241.1512	15	12	23	21	G 1/2	G 3/8	15	0.037
UA3241.2008	20	08	30	21	G 3/4	G 1/4	15	0.094
UA3241.2015	20	15	30	21	G 3/4	G 1/4	15	0.062

### REFERENCES NORMS :

- Material : NF EN 1982 - NF EN 12163 - NF EN 12164 - NF EN 10272
- Testing & checking : NF EN 12266-1/-2 (bench test)

Ref. instruction of assembling :

Ref. instruction of operation :

**Mounting & assembly guides are available  
on our website.**

*These data are for information and can be modified without notice. It is not up to us to appreciate specifications. It is up to the customer to verify the adequacy between the equipment choosen and the real conditions of use.*