



AUTEXIER

MANUFACTURER OF INDUSTRIAL VALVES

93 Rue Louis Blanc - 02300 CHAUNY - FRANCE
 Phone : +33 (0)3 23 52 02 86 Fax : +33 (0)3 23 39 52 28
 Website : www.autexier.fr

Ref. A1191 Family : 39

Rev. 05

Date : 02 Feb. 2021

Page 1/1

BRONZE SINGLE WEDGE GATE VALVE

Ref. A1191DØ / A1191DEØ / A1191DØS

SERIES :

- A1191DØ without equipment and two flanges without fitting
 - A1191DEØ without equipment and with two flanges with a fitting
 - A1191DØS without equipment, with one flange with a fitting and one flange without fitting
- For material compatibility, contact us



CARACTERISTICS :

- PN20 (Nominal Pressure)
- ENDS : Flanges PN10/PN16
- MATERIAL : BRONZE CC491K

MAXIMUM CONDITIONS OF USE :

- 20 bar of -45°C to 225°C

APPLICATIONS :

- Dielectric transformer

OPTIONS :

- Special drilling
- Special flanges

Specific dimensions, contact us

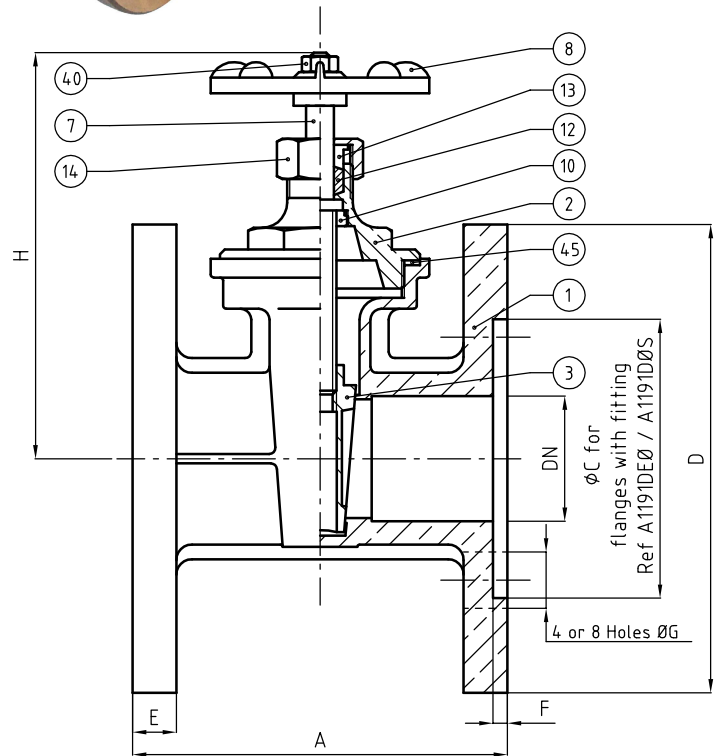


A1191DØ



A1191DEØ

Subject to modifications



NOMENCLATURE			
Rep	Qty	Designation	Material
1	1	BODY	BRONZE
2	1	BONNET	BRONZE
3	1	SINGLE WEDGE DISC	BRONZE
7	1	STEM	BRASS
8	1	HANDWHEEL	LIGHT ALLOY
10	1	STEM NUT	BRASS
12	1	PACKING	FIBER + GRAPHITE / PTFE
13	1	PACKING GLAND	BRASS
14	1	PACKING NUT	BRASS
40	1	NUT H	BRASS
45	1	GASKET	PTFE

REFERENCES NORMS :

- Material : NF EN 1982 - NF EN 12163 - NF EN 12164 - NF EN 10272
- Testing & checking : NF EN 12266-1/-2 (bench test) - NF C52-123
- Face to face : NF EN 558 - Series 18 (DN15 to DN40)
- Face to face : NF EN 558 - Series 29 (DN50 to DN100)
- Flanges : NF EN 1092-3

Ref. instruction of assembling : 0904DA121E

Ref. instruction of operation : 0904DA084E

Mounting & assembly guides are available on our website.

DIMENSIONS						
DN	15	25	40	50	80	100
A (mm)	80	100	120	142	160	172
C (mm)	50	69	88	103	136	160
D (mm)	95	115	150	165	200	220
E (mm)	9	10	14	15	17	19
F (mm)	4.5	4.5	4.5	4.5	4.5	4.5
G (mm)	14	14	18	18	18	18
H (mm)	105	122	148	175	264	318
Weight (Kg) Ref A1191DØ	--	2.005	5.070	6.600	13.000	16.500

These data are for information and can be modified without notice. It is not up to us to appreciate specifications. It is up to the customer to verify the adequacy between the equipment chosen and the real conditions of use.