



# AUTEXIER

MANUFACTURER OF INDUSTRIAL VALVES

93 Rue Louis Blanc - 02300 CHAUNY - FRANCE  
 Phone : +33 (0)3 23 52 02 86 Fax : +33 (0)3 23 39 52 28  
 Website : www.autexier.fr

Ref. 360 Family : 27

Rev. 06

Date : 29 March 2021

Page 1/1

## BRONZE SAFETY VALVE WITH FLANGE

Ref. 360.0+B0 / 360BP0+B0 / 360T0+B0

### SERIES :

- 360 : FPM Disc
- 360BP : Silicone Disc (low pressure)
- 360T : PTFE Disc
- High-flow valve / speed lift
- Free outlet

For material compatibility, contact us

### CARACTERISTICS :

- PN40 (Nominal Pressure)
- END : ISO PN16 flange
- MATERIAL : BRONZE CC491K

### MAXIMUM CONDITIONS OF USE :

- 360 : 40 bar of -15°C to 200°C
- 360BP : 40 bar of -50°C to 200°C
- 360T : 40 bar of -50°C to 225°C

### APPLICATIONS :

- Compressed air
- Non-toxic gases
- Oxygen

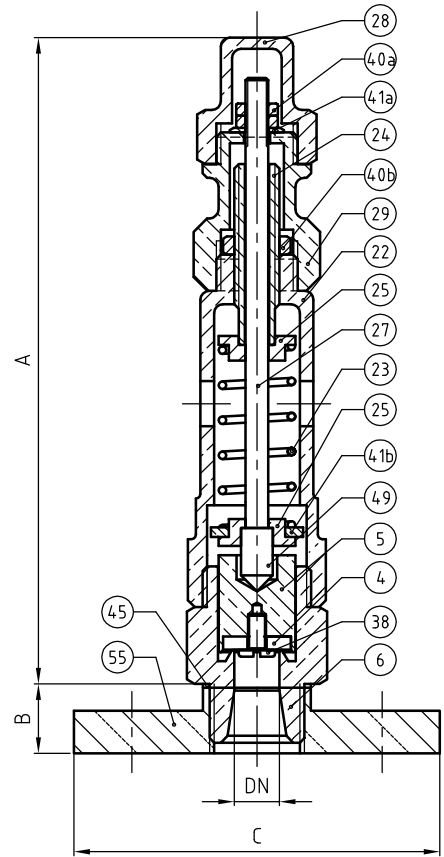
### OPTIONS :

- Degreased disc

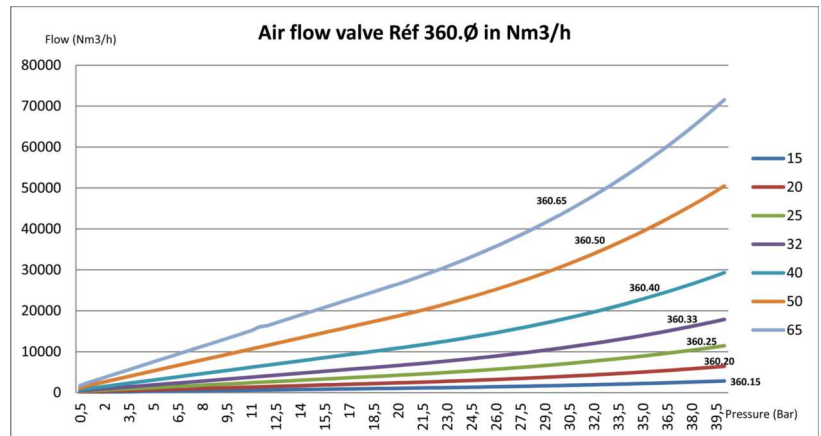
Specific dimensions, contact us



Subject to modifications



NOMENCLATURE			
Rep	Qty	Designation	Material
4	1	DISC	360:FPM / 360BP:Silicone / 360T:PTFE
5	1	DISC HOLDER	BRASS
6	1	SEAT	BRONZE
22	1	LANTERN	BRONZE
23	1	SPRING	STAINLESS STEEL
24	1	ADJUSTING SCREW	BRASS
25	2	CARRIER	BRASS
27	1	NEEDLE	BRASS
28	1	CAP	BRONZE
29	1	ADJUSTMENT WHEEL	BRONZE
38	1	SCREW	BRASS
40a	2	NUT	BRASS
40b	1	NUT	BRASS
41a	1	WASHER	BRASS
41b	1	WASHER	BRASS
45	1	GASKET	ELASTOMER
49	1	NOZZLE	BRASS
55	1	FLANGE	BRONZE



### REFERENCES NORMS :

- Material : NF EN 1982 - NF EN 12163 - NF EN 12164 - NF EN 10272
- Testing & checking : NF EN 12266-1/-2 (bench test)
- Safety devices for protection against excessive pressure : NF EN ISO 4126-7/A1
- Shell design strength : NF EN 12516-3

Ref. instruction of assembling : 0904DA091E

Ref. instruction of operation : 0904DA095E

**Mounting & assembly guides are available on our website.**

DIMENSIONS							
DN	15	20	25	32	40	50	65
A (mm)	143	169	186	230	288	307	340
B (mm)	17	20	21	24	24	29.5	33
C (mm)	95	105	115	140	150	165	185
Weight (Kg)	1.061	1.644	2.146	3.335	4.887	6.900	10.233
Section (mm <sup>2</sup> )	78.5	176.7	314.2	490.9	804.2	1385.4	1963.5

These data are for information and can be modified without notice. It is not up to us to appreciate specifications. It is up to the customer to verify the adequacy between the equipment chosen and the real conditions of use.