



# AUTEXIER

MANUFACTURER OF INDUSTRIAL VALVES

93 Rue Louis Blanc - 02300 CHAUNY - FRANCE  
 Phone: +33 (0)3 23 52 02 86 Fax: +33 (0)3 23 39 52 28  
 Website: www.autexier.fr

Ref. A75 Family : 49

Rev. 02

Date : 08 Feb. 2021

Page 1/1

## BRONZE 3 WAY BALL VALVE Ref. A75T32

**SERIES :**

- A75
- Three-way T

*For material compatibility, contact us*

**CARACTERISTICS :**

- PN30 (Nominal Pressure)
- ENDS : Female GAZ threads
- MATERIAL : BRONZE CC491K

**MAXIMUM CONDITIONS OF USE :**

- 30 bar of -15°C to 200°C

**APPLICATIONS :**

- Water-based fluids
- Oil & gas

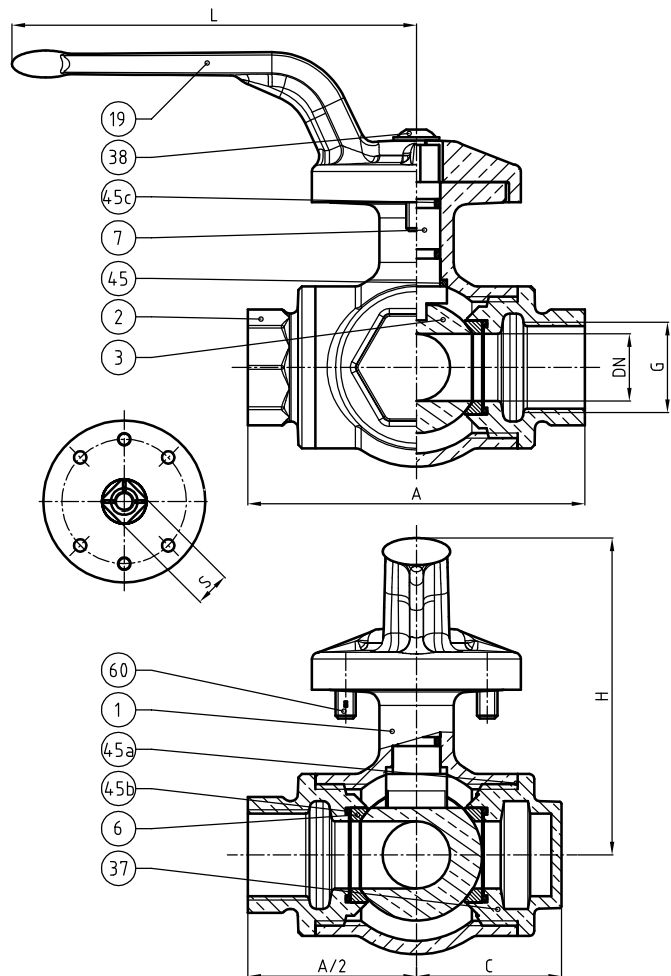
**OPTIONS :**

- NPT / API Connection
- Lockable handle
- Monel stem and ball
- Fourth way

*Specific dimensions, contact us*



*Subject to modifications*



**NOMENCLATURE**

Rep	Qty	Designation	Material
1	1	BODY	BRONZE
2	3	COVER	BRONZE
3	1	BALL	ALUMINIUM BRONZE
6	4	SEAT	PTFE
7	1	STEM	ALUMINIUM BRONZE
19	1	HANDLE	BRONZE
37	1	PLUG	BRONZE
38	1	SCREW	STAINLESS STEEL
45	1	GASKET	PTFE
45a	4	O-RING	FPM
45b	4	O-RING	FPM
45c	2	O-RING	FPM
60	2	SPRING PLUNGERS	STAINLESS STEEL

**REFERENCES NORMS :**

- Material : NF EN 1982 - NF EN 12163 - NF EN 12164 - NF EN 10272
- Testing & checking : NF EN 12266-1/-2 (bench test)

Ref. instruction of assembling : 0904DA157E

Ref. instruction of operation : 0904DA158E

**Mounting & assembly guides are available on our website.**

**DIMENSIONS**

DN	32
A (mm)	125
C (mm)	57
H (mm)	107
L (mm)	165
S (mm)	14
Base ISO	F05
Maximum torque (N.m)	20
Weight (Kg)	3.525

*These data are for information and can be modified without notice. It is not up to us to appreciate specifications. It is up to the customer to verify the adequacy between the equipment chosen and the real conditions of use.*