



AUTEXIER

MANUFACTURER OF INDUSTRIAL VALVES

93 Rue Louis Blanc - 02300 CHAUNY - FRANCE
Phone: +33 (0)3 23 52 02 86 Fax: +33 (0)3 23 39 52 28
Website: www.autexier.fr

Ref. U33 Family: 41

Rev. 00

Date: 23 Oct. 2015

Page 1/1

BRONZE HANDWHEEL

Ref. U33

SERIES :

- U33

For material compatibility, contact us

CHARACTERISTICS :

- MATERIAL : BRONZE CC491K or CC499K

APPLICATIONS :

- Globe valve
- Fire hydrant and deck valve
- Gate valve (except 591)

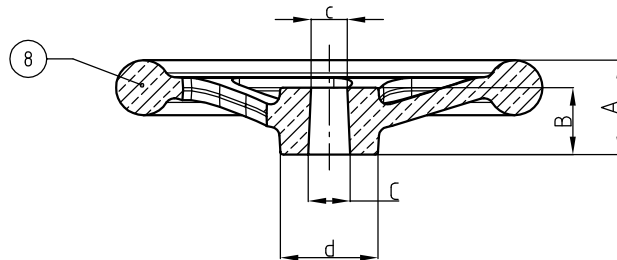
OPTIONS :

- Polishing

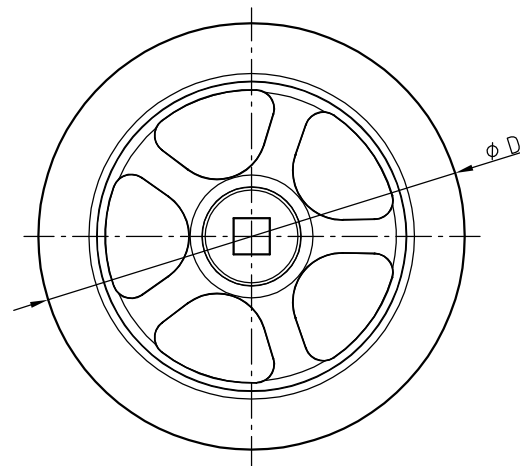


Subject to modifications

NOMENCLATURE			
Rep	Qty	Designation	Material
8	1	HANDWHEEL	BRONZE



DIMENSIONS			
Ø D (mm)	60	70	110
A (mm)	14	15.5	22.5
B (mm)	10	11	16
c (mm)	5.6	5.9	10.3
C (mm)	6.5	6.9	12
d (mm)	12	16	22
Weight (Kg)	0.100	0.154	0.509

**REFERENCES NORMS :**

- Material: NF EN 1982 - NF EN 12164 - NF EN 10272
- Testing & checking: NF EN 12266-1/-2 (bench test)

Ref. instruction of assembling: -

Ref. instruction of operation: -

Mounting & assembly guides are available on our website.

Opinions & advices are indicatives. It is not up to us to appreciate specifications. It is up to the customer to verify the adequacy between the equipment chosen and the real conditions of use.