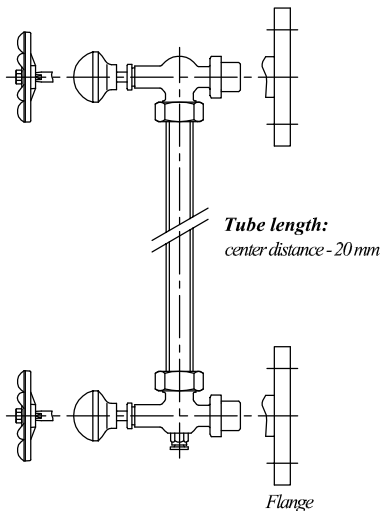


ASSEMBLY 1

Packing and tube

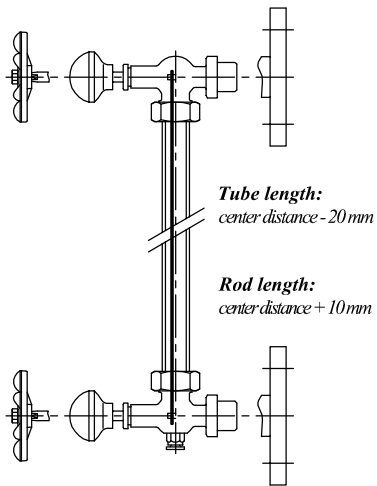


Detail :
 Superior Part 186, 184, 2184, 3184PSØ
 Pyrex® or rhodoïd tube CPY or CPX
 Inferior Part 186, 184, 2184, 3184PIØ

Observation :
 Not recommended for center distances > 1000 mm

ASSEMBLY 2

With side protection rods

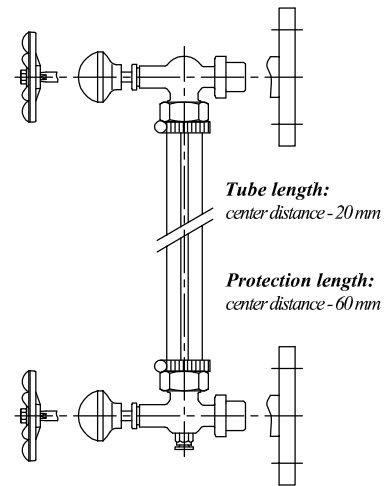


Detail :
 Superior Part 186, 184, 2184, 3184PSØ
 Pyrex® or rhodoïd tube CPY or CPX
 Protective rod Available per meter
 Inferior Part 186, 184, 2184, 3184PIØ

Observation :
 Not recommended for center distances > 1000 mm

ASSEMBLY 3

With protections

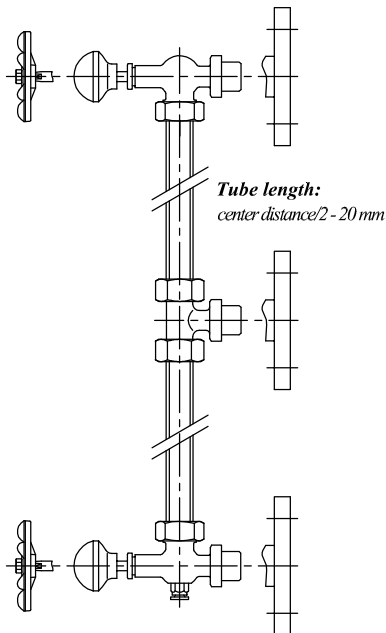


Detail :
 Superior Part 186, 184, 2184, 3184PSØ
 Pyrex® or rhodoïd tube CPY or CPX
 Glass protections CPROTEC + C19.1384
 Flanged nuts U26.18415P
 Inferior Part 186, 184, 2184, 3184PIØ

Observation :
 Not recommended for center distances > 1000 mm

ASSEMBLY 4

Large heights without protection

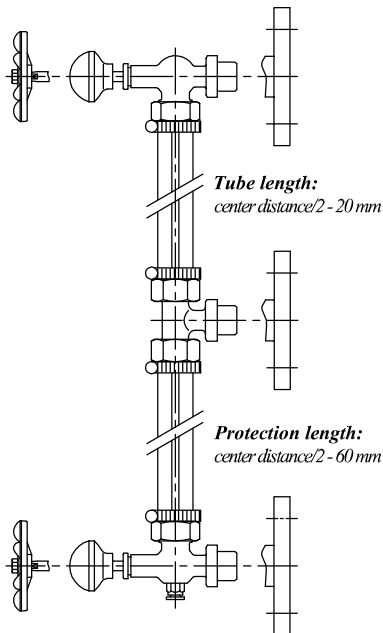


Detail :
 Superior Part 186, 184, 2184, 3184PSØ
 Pyrex® or rhodoïd tube CPY or CPX
 Intermediate 274
 Inferior Part 186, 184, 2184, 3184PIØ

Observation :
 Recommended for center distances > 1000 mm

ASSEMBLY 5

Large heights with protections

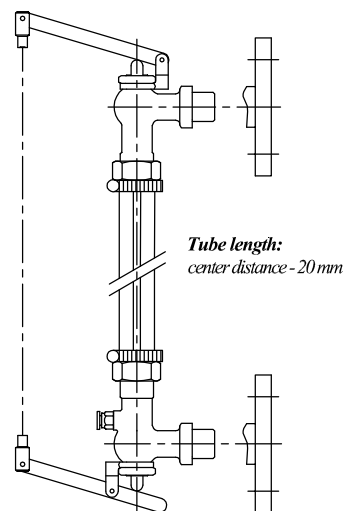


Detail :
 Superior Part 186, 184, 2184, 3184PSØ
 Pyrex® or rhodoïd tube CPY or CPX
 Glass protections CPROTEC + C19.1384
 Flanged nuts U26.18415P
 Intermediate 274
 Inferior Part 186, 184, 2184, 3184PIØ

Observation :
 Recommended for center distances > 1000 mm

ASSEMBLY 6

With connecting rod



Detail :
 Superior Part 2184PSØ
 Pyrex® or rhodoïd tube CPY or CPX
 Glass protections CPROTEC + C19.1384
 Flanged nuts U26.18415P
 Operating rod Stirrup + Lever
 Inferior Part 2184PIØ

Observation :
 Not recommended for center distances > 1000 mm