



# AUTEXIER

MANUFACTURER OF INDUSTRIAL VALVES

93 Rue Louis Blanc - 02300 CHAUNY - FRANCE  
 Phone: +33 (0)3 23 52 02 86 Fax: +33 (0)3 23 39 52 28  
 Website: www.autexier.fr

Ref.: AU591 Family: 09

Rev.: 09

Date: 25 Oct. 2017

Page 1/1

## ALUMINIUM-BRONZE DOUBLE WEDGE GATE VALVE WITH FLANGES

Ref: AU591

**SERIES :**

- AU591

*For material compatibility, contact us*

**CHARACTERISTICS :**

- PN16 (Nominal Pressure)
- ENDS : Flanges ISO PN10 or PN16
- MATERIAL : ALUMINIUM-BRONZE CC332G

**MAXIMUM CONDITIONS OF USE :**

- 16 bar of -100 to 150°C (DN40 to DN65)
- 16 bar of -30 to 100°C (DN80 to DN200)

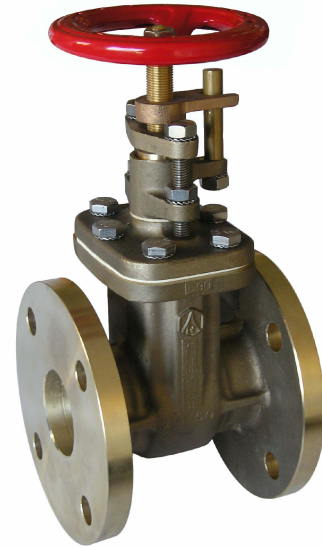
**APPLICATIONS :**

- Seawater
- Water-based fluids
- Steam (8 bar)

**OPTIONS :**

- Special drilling
- Face to face

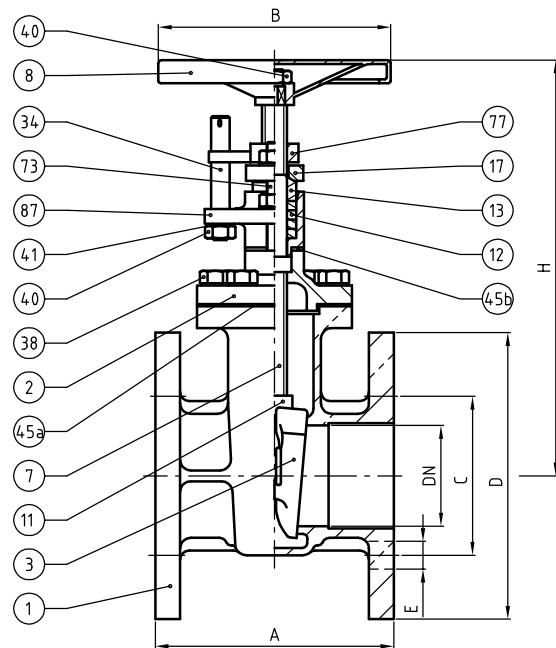
*Specific dimensions, contact us*



*Subject to modifications*

**NOMENCLATURE**

Rep	Qty	Designation	Material
1	1	BODY	ALUMINIUM-BRONZE
2	1	BONNET	ALUMINIUM-BRONZE
3	1	DOUBLE WEDGE DISC	ALUMINIUM-BRONZE
7	1	STEM	ALUMINIUM-BRONZE
8	1	HANDWHEEL	STEEL, EPOXY PAINTING
11	1	WEDGE DISC NUT	ALUMINIUM-BRONZE
12	m	PACKING	GRAPHITE + FIBER
13	1	PACKING GLAND	ALUMINIUM-BRONZE
17	1	PACKING FLANGE	ALUMINIUM-BRONZE
34	1	GUIDE	ALUMINIUM-BRONZE
38	n	SCREW	STAINLESS STEEL
40	6	NUT	STAINLESS STEEL
41	o	WASHER	STAINLESS STEEL
45a	1	GASKET	ELASTOMER FIBER
45b	1	FLAT GASKET (40;65) / O-RING (80;200)	ELASTOMER FIBER (40;65) / FPM (80;200)
73	2	STUD	STAINLESS STEEL
77	1	TRAVEL INDICATOR	ALUMINIUM-BRONZE
87	1	PACKING BOX	ALUMINIUM-BRONZE



**DIMENSIONS**

DN	A (mm)	B (mm)	C (mm)	D (mm)	E (mm)	H (mm)	m	n	o	Weight (kg)
40	136	125	110	150	18	220	4	6	11	7.650
50	142	125	125	165	18	235	4	6	11	9.760
65	154	150	145	185	18	270	4	8	13	13.000
80	160	150	160	200	18	300	3	8	13	19.250
100	172	175	180	220	18	335	3	8	13	24.000
125	186	175	210	250	18	390	3	9	14	32.000
150	200	200	240	285	22	452	3	10	15	43.000
200	228	225	295	340	22	535	4	10	15	63.000

**REFERENCES NORMS :**

- Material: NF EN 1982 - NF EN 12164 - NF EN 10272
- Testing & checking: NF EN 12266-1/-2 (bench test)
- Face to face: NF EN 558 - Series 29

Ref. instruction of assembling: 0904DA123

Ref. instruction of operation: 0904DA087

**Mounting & assembly guides are available on our website .**

*Opinions & advices are indicatives. It is not up to us to appreciate specifications. It is up to the customer to verify the adequacy between the equipment choosen and the real conditions of use.*