



# AUTEXIER

MANUFACTURER OF INDUSTRIAL VALVES

93 Rue Louis Blanc - 02300 CHAUNY - FRANCE  
Phone: +33 (0)3 23 52 02 86 Fax: +33 (0)3 23 39 52 28  
Website: www.autexier.fr

Ref.: AU191 Family: 09

Rev.: 08

Date: 01 April 2019

page 1/1

## ALUMINIUM-BRONZE SINGLE WEDGE GATE VALVE WITH FLANGES

### Ref: AU191Ø

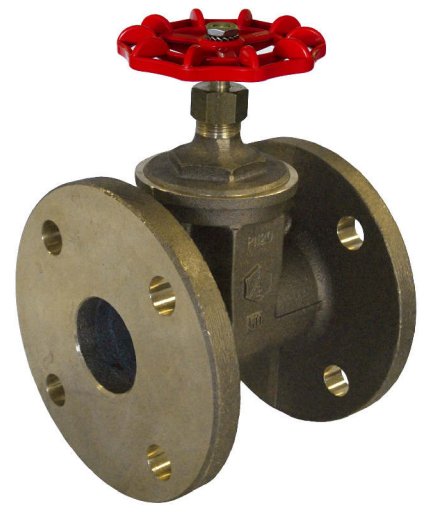
#### SERIES :

- AU191Ø
  - Screwed bonnet, Single wedge, Taper seat
- For material compatibility, contact us*



#### CHARACTERISTICS :

- PN20 (Nominal Pressure)
- ENDS : Flanges ISO PN16
- MATERIAL : ALUMINIUM-BRONZE



*Subject to modifications*

#### MAXIMUM CONDITIONS OF USE :

- 20 bar of -45°C to 225°C

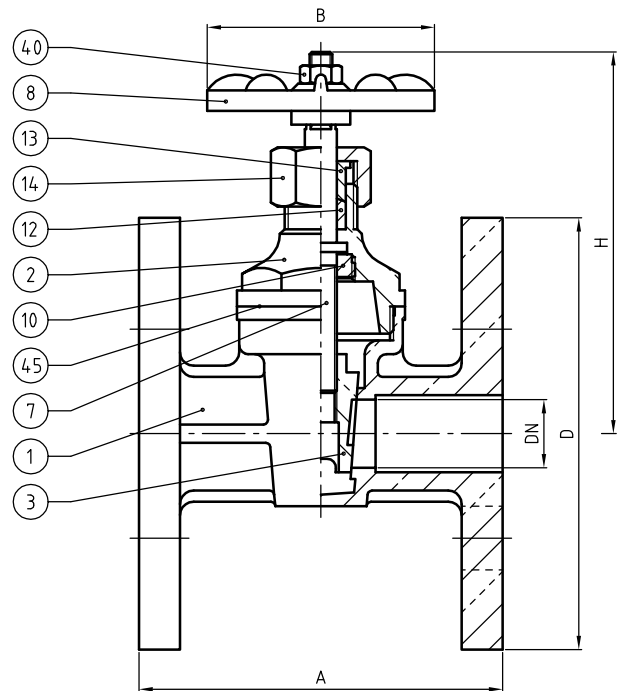
#### APPLICATIONS :

- Water-based fluids
- Steam (8 bar)
- Seawater

#### OPTIONS :

- Special drilling
- Special face-to-face
- Locking device

*Specific dimensions, contact us*



#### NOMENCLATURE

Rep	Qty	Designation	Material
1	1	BODY	ALUMINIUM BRONZE
2	1	BONNET	ALUMINIUM BRONZE
3	1	SINGLE WEDGE DISC	ALUMINIUM BRONZE
7	1	STEM	ALUMINIUM BRONZE
8	1	HANDWHEEL	LIGHT ALLOY
10	1	STEM NUT	ALUMINIUM BRONZE
12	1	PACKING	PTFE
13	1	PACKING GLAND	ALUMINIUM BRONZE
14	1	PACKING NUT	ALUMINIUM BRONZE
40	1	NUT	STAINLESS STEEL
45	1	GASKET (DN25, 50, 80, 100)	PTFE

#### REFERENCES NORMS :

- Material: NF EN 1982 - NF EN 12164 - NF EN 10272
- Testing & checking: NF EN 12266-1/-2 (bench test)
- Face to face: NF EN 558 - Series 18 (DN15 to DN32)  
NF EN 558 - Series 29 (DN40 to DN100)

Ref. instruction of assembling: 0904DA121

Ref. instruction of operation: 0904DA84

**Mounting & assembly guides are available on our website.**

#### DIMENSIONS

DN	15	20	25	32	40	50	65	80	100
A (mm)	80	90	100	110	136	142	154	160	172
B (mm)	50	60	60	70	70	80	110	110	150
D (mm)	95	105	115	140	150	165	185	200	220
H (mm)	84	95	105	124	130	147	190	225	270
Weight (kg)	-	1.600	1.870	3.500	4.620	5.700	9.750	-	-

*These data are for information and can be modified without notice. It is not up to us to appreciate specifications. It is up to the customer to verify the adequacy between the equipment chosen and the real conditions of use.*