



AUTEXIER

MANUFACTURER OF INDUSTRIAL VALVES

93 Rue Louis Blanc - 02300 CHAUNY - FRANCE
Phone: +33 (0)3 23 52 02 86 Fax: +33 (0)3 23 39 52 28
Website: www.autexier.fr

Ref. 105 Family: 18

Rev. 02

Date: 12 May 2016

Page 1/1

VERTICAL LIFT CHECK VALVE WITH FLANGES

Ref. AU105C / AU105T

SERIES :

- AU105C: Aluminium bronze disc / Aluminium bronze seat
- AU105T: PTFE disc / Aluminium bronze seat
- Union bonnet

For material compatibility, contact us



CHARACTERISTICS :

- PN30 (Nominal Pressure)
- ENDS : ISO PN16 flanges
- MATERIAL : ALUMINIUM BRONZE CC332G

MAXIMUM CONDITIONS OF USE :

- 30 bar of -15°C to 200°C

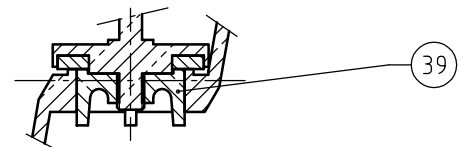
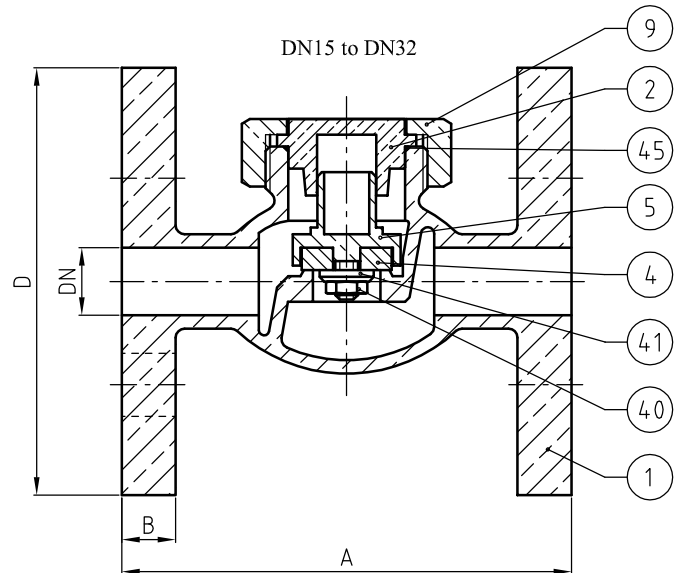
APPLICATIONS :

- Water-based fluids

OPTIONS :

- Special drilling
 - ASA 150 flanges (PN20)
 - Stainless steel springloaded
- Specific dimensions, contact us*

Subject to modifications



DN40 and DN50

NOMENCLATURE

Rep	Qty	Designation	Material
1	1	BODY	ALUMINIUM BRONZE
2	1	BONNET	ALUMINIUM BRONZE
4	1	DISC	ALUMINIUM BRONZE / PTFE
5	1	DISC HOLDER	ALUMINIUM BRONZE
9	1	BONNET NUT	ALUMINIUM BRONZE
39	1	FIN (DN40 and DN50)	ALUMINIUM BRONZE
40	1	NUT (DN15 to DN32)	ALUMINIUM BRONZE
41	1	WASHER	ALUMINIUM BRONZE
45	1	O-RING	FPM

DIMENSIONS

DN	15	20	25	32	40	50
A (mm)	100	110	125	140	160	185
B (mm)	12	13	14	15	16	17
D (mm)	95	105	115	140	150	165
Weight (Kg) AU105C	1.590	2.150	2.935	4.650	6.100	8.550
Weight (Kg) AU105T	1.420	2.120	2.910	4.625	6.000	8.400

REFERENCES NORMS :

- Material: NF EN 1982 - NF EN 12164 - NF EN 10272
- Testing & checking: NF EN 12266-1/-2 (bench test)

Ref. instruction of assembling: 0904DA109

Ref. instruction of operation: 0904DA110

Mounting & assembly guides are available on our website .

Opinions & advices are indicatives. It is not up to us to appreciate specifications. It is up to the customer to verify the adequacy between the equipment choosen and the real conditions of use.