



# AUTEXIER

MANUFACTURER OF INDUSTRIAL VALVES

93 Rue Louis Blanc - 02300 CHAUNY - FRANCE  
Phone: +33 (0)3 23 52 02 86 Fax: +33 (0)3 23 39 52 28  
Website: www.autexier.fr

Ref. 105 Family: 18

Rev. 03

Date: 21 March 2018

Page 1/1

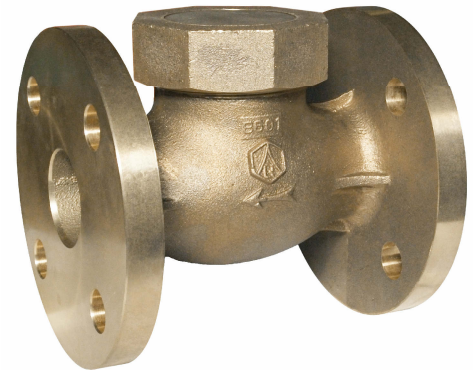
## VERTICAL LIFT CHECK VALVE WITH FLANGES

Ref. AU105C / AU105T

### SERIES :

- AU105C: Aluminium bronze disc / Aluminium bronze seat
- AU105T: PTFE disc / Aluminium bronze seat
- Union bonnet

For material compatibility, contact us



### CARACTERISTICS :

- PN30 (Nominal Pressure)
- ENDS : ISO PN16 flanges
- MATERIAL : ALUMINIUM BRONZE CC332G

### MAXIMUM CONDITIONS OF USE :

- 30 bar of -15°C to 200°C

### APPLICATIONS :

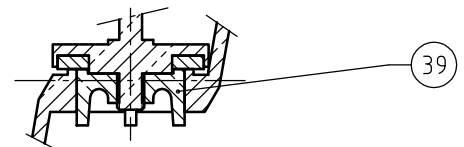
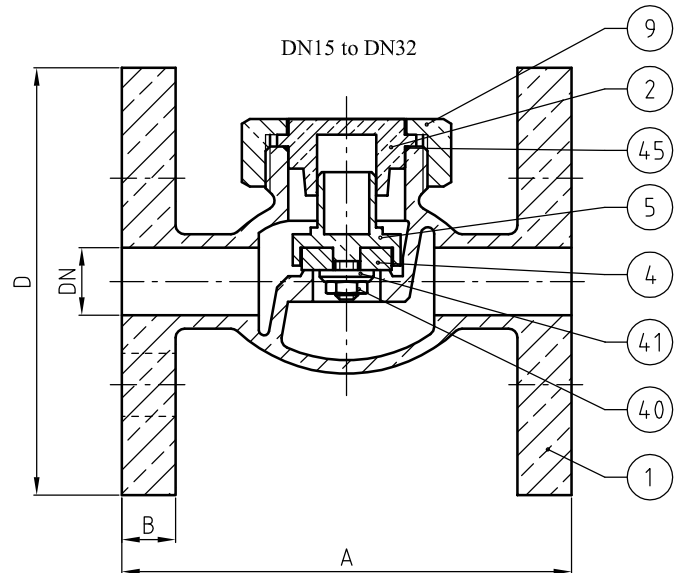
- Water-based fluids

### OPTIONS :

- Special drilling
- ASA 150 flanges (PN20)
- Stainless steel springloaded

Specific dimensions, contact us

Subject to modifications



DN40 and DN50

### NOMENCLATURE

Rep	Qty	Designation	Material
1	1	BODY	ALUMINIUM BRONZE
2	1	BONNET	ALUMINIUM BRONZE
4	1	DISC	ALUMINIUM BRONZE / PTFE
5	1	DISC HOLDER	ALUMINIUM BRONZE
9	1	BONNET NUT	ALUMINIUM BRONZE
39	1	FIN (DN40 and DN50)	ALUMINIUM BRONZE
40	1	NUT (DN15 to DN32)	ALUMINIUM BRONZE
41	1	WASHER	ALUMINIUM BRONZE
45	1	O-RING	FPM

### REFERENCES NORMS :

- Material: NF EN 1982 - NF EN 12164 - NF EN 10272
- Testing & checking: NF EN 12266-1/-2 (bench test)

Ref. instruction of assembling: 0904DA109E

Ref. instruction of operation: 0904DA110E

Mounting & assembly guides are available on our website .

### DIMENSIONS

DN	15	20	25	32	40	50	65
A (mm)	100	110	125	140	160	185	216
B (mm)	12	13	14	15	16	17	17
D (mm)	95	105	115	140	150	165	185
Weight (Kg) AU105C	1.590	2.150	2.935	4.650	6.100	8.550	--
Weight (Kg) AU105T	1.420	2.120	2.910	4.625	6.000	8.400	--

These data are for information and can be modified without notice. It is not up to us to appreciate specifications. It is up to the customer to verify the adequacy between the equipment chosen and the real conditions of use.