



AUTEXIER

MANUFACTURER OF INDUSTRIAL VALVES

93 Rue Louis Blanc - 02300 CHAUNY - FRANCE
 Phone: +33 (0)3 23 52 02 86 Fax: +33 (0)3 23 39 52 28
 Website: www.autexier.fr

Ref. A17 Family: 25

Rev.: 03

Date: 10 June 2016

Page 1/1

BRONZE SIGHT FLOW INDICATOR

Ref. A17.Ø

SERIES :

- Female / Female

For material compatibility, contact us

CHARACTERISTICS :

- PN16 (Nominal Pressure)

- ENDS : Female GAZ threads

- MATERIAL : BRONZE CC491K

MAXIMUM CONDITIONS OF USE :

- 16 bar of -10°C to 90°C

APPLICATIONS :

- Water

- Water-based fluids

- Non-toxic gases

OPTIONS :

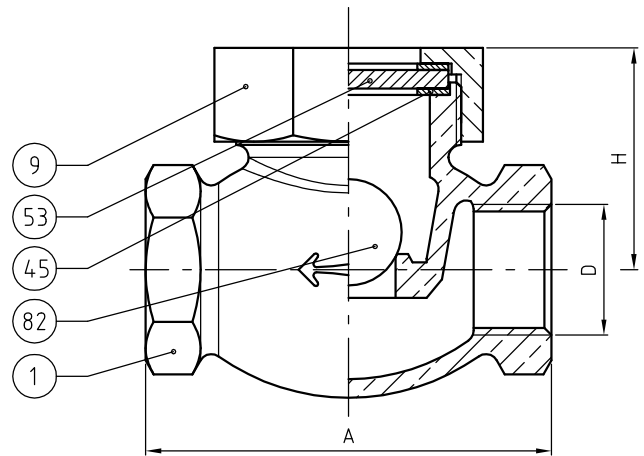
- NPT/API connection

- Male / Male

Specific dimensions, contact us



Subject to modifications



NOMENCLATURE			
Rep	Qty	Designation	Material
1	1	BODY	BRONZE
9	1	BONNET NUT	BRONZE
45	2	GASKET	CARBON FIBER + NBR
53	1	GLASS	TEMPERED GLASS
82	1	BALL	POM

REFERENCES NORMS :

- Material: NF EN 1982 - NF EN 12164 - NF EN 10272

- Testing & checking: NF EN 12266-1/-2 (bench test)

Ref. instruction of assembling: -

Ref. instruction of operation: -

Mounting & assembly guides are available on our website.

DIMENSIONS						
DN	15	20	25	32	40	50
A (mm)	65	84	98	110	120	145
D	1/2"	3/4"	1"	1"1/4	1"1/2	2"
H (mm)	36	46	55*	65*	75*	90*
Weight (Kg)	0.385	0.707	--	--	--	--

**Under reserve*

Opinions & advices are indicatives. It is not up to us to appreciate specifications. It is up to the customer to verify the adequacy between the equipment choosen and the real conditions of use.