



AUTEXIER

MANUFACTURER OF INDUSTRIAL VALVES

93 Rue Louis Blanc - 02300 CHAUNY - FRANCE
 Phone: +33 (0)3 23 52 02 86 Fax: +33 (0)3 23 39 52 28
 Website: www.autexier.fr

Ref.: 591 Family: 09

Rev.: 07

Date: 10-10-2013

Page 1/1

BRONZE DOUBLE WEDGE GATE VALVE WITH FLANGES

Ref: 591

SERIES :

- 591

For material compatibility, contact us



CARACTERISTICS :

- PN16 (Nominal Pressure)
- ENDS : Flanges ISO PN10 or PN16
- MATERIAL : BRONZE CC491K or CC499K



BUREAU VERITAS

MAXIMUM CONDITIONS OF USE :

- 16 bar at 225°C (DN40 to DN65)
- 16 bar at 90°C (DN80 to DN200)

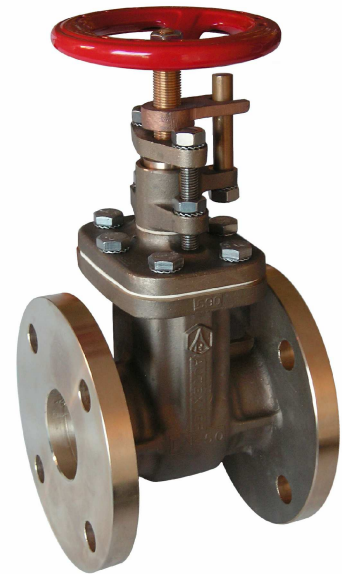
APPLICATIONS :

- Seawater
- Water-based fluids
- Steam (8 bar)

OPTIONS :

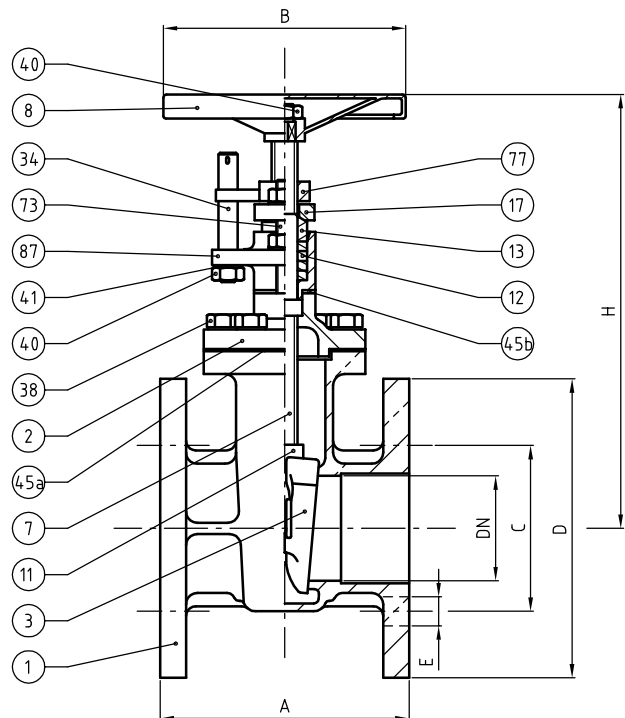
- Special drilling
- Face to face

Specific dimensions, contact us



Subject to modifications

NOMENCLATURE			
Rep	Qty	Designation	Material
1	1	BODY	BRONZE
2	1	BONNET	BRONZE
3	1	DOUBLE WEDGE DISC	BRONZE
7	1	STEM	BRASS - ALU-BRONZE
8	1	HANDWHEEL	IRON, EPOXY PAINTING
11	1	WEDGE DISC NUT	BRONZE
12	m	PACKING	GRAPHITE + FIBER
13	1	PACKING GLAND	BRONZE
17	1	PACKING FLANGE	BRONZE
34	1	GUIDE	BRASS
38	n	SCREW	STAINLESS STEEL
40	6	NUT	STAINLESS STEEL
41	o	WASHER	STAINLESS STEEL
45a	1	GASKET	ELASTOMER FIBER
45b	1	FLAT GASKET (40;65) / O-RING (80;200)	ELASTOMER FIBER (40;65) / FPM (80;200)
73	2	STUD	STAINLESS STEEL
77	1	TRAVEL INDICATOR	BRONZE
87	1	PACKING BOX	BRONZE



DIMENSIONS										
DN	A (mm)	B (mm)	C (mm)	D (mm)	E (mm)	H (mm)	m	n	o	Weight (kg)
40	136	125	110	150	18	220	4	6	11	7.840
50	142	125	125	165	18	235	4	6	11	11.330
65	154	150	145	185	18	270	4	8	13	14.280
80	160	150	160	200	18	300	3	8	13	21.500
100	172	175	180	220	18	335	3	8	13	28.280
125	186	175	210	250	18	390	3	9	14	38.500
150	200	200	240	285	22	452	3	10	15	51.300
200	228	225	295	340	22	535	4	10	15	73.140

REFERENCES NORMS :

- Material: NF EN 1982 - NF EN 12164 - NF EN 10272
- Testing & checking: NF EN 12266-1/-2 (bench test)

Ref. instruction of assembling: 0904DA123

Ref. instruction of operation: 0904DA087

Mounting & assembly guides are available on our website .

Opinions & advices are indicatives. It is not up to us to appreciate specifications. It is up to the customer to verify the adequacy between the equipment chosen and the real conditions of use.