



# AUTEXIER

MANUFACTURER OF INDUSTRIAL VALVES

93 Rue Louis Blanc - 02300 CHAUNY - FRANCE  
 Phone: +33 (0)3 23 52 02 86 Fax: +33 (0)3 23 39 52 28  
 Website: www.autexier.fr

Ref.: 481 Family: 27

Rev.: 09

Date: 23 May 2018

Page 1/1

## BRONZE SAFETY VALVE

Ref: 481.Ø / 481MØ / 481TØ / 481BPØ

### SERIES :

- 481M : Metal Disc
  - 481T : PTFE Disc
  - 481 : FPM Disc
  - 481BP : Silicone Disc (low pressure)
  - Female inlet / outlet
- For material compatibility, contact us*

### CARACTERISTICS :

- PN40 (Nominal Pressure)
- ENDS : Female GAZ threads
- MATERIAL : BRONZE CC491K

### MAXIMUM CONDITIONS OF USE :

- Ref. 481M: 40 bar of -196°C to 225°C
- Ref. 481T: 40 bar of -196°C to 225°C
- Ref. 481: 40 bar of -15°C to 200°C
- Ref. 481BP: 40 bar of -50°C to 220°C

### APPLICATIONS :

- Hot water & industrial fluids
- Water-based fluids
- Low pressure steam (8bar)
- Neutral gases (compressed air, ...)

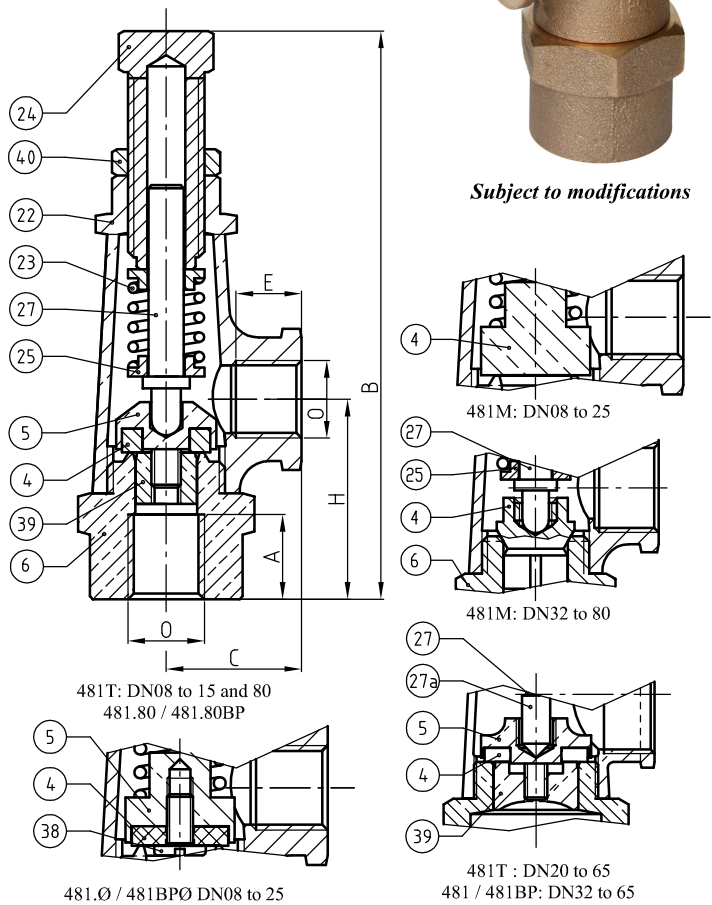
### OPTIONS :

- NPT connection
- Flange connection
- Degreased disc / seat
- Bonnet tightness

*Specific dimensions, contact us*



*Subject to modifications*



NOMENCLATURE			
Rep	Qty	Designation	Material
4	1	DISC	481M:BRONZE / 481T:PTFE 481:FPM / 481BP:Silicone
5	1	DISC HOLDER	BRASS; BRONZE (DN32 to 80)
6	1	SEAT	BRONZE
22	1	LANTERN	BRONZE
23	1	SPRING	STAINLESS STEEL
24	1	ADJUSTING SCREW	BRASS
25	1	CARRIER	BRASS; BRONZE (481T & 481 DN65 to 80)
27	1	NEEDLE	BRASS
27a	1	TIP NEEDLE	BRASS(481 DN32 to 65)
38	1	SCREW (DN08 to 25)	STAINLESS STEEL
39	1	FIN	BRONZE
40	1	NUT	BRASS

### REFERENCES NORMS :

- Material: NF EN 1982 - NF EN 12164 - NF EN 10272
- Testing & checking: NF EN 12266-1/-2 (bench test)

Ref. instruction of assembling: 0904DA091E

Ref. instruction of operation: 0904DA155E

**Mounting & assembly guides are available on our website.**

DIMENSIONS										
DN	08	12	15	20	25	32	40	50	65	80
A (mm)	14.4	14.4	18	19	21	22	23	27	32	34
B Maxi (mm)	102	103	133	157	173	214	235	282	307	360
C (mm)	23	23	28	34	36	42	50	55	67	80
E (mm)	12	12	14	17	17	18	19	21	28	32
H (mm)	35	35	70	87	101	107	118	141	160	181
O	1/4"	3/8"	1/2"	3/4"	1"	1"1/4"	1"1/2"	2"	2"1/2"	3"
Masse (kg) Ref.481	0.210	0.200	0.445	0.802	1.250	1.720	2.400	3.630	5.528	9.753
S Entrée (mm <sup>2</sup> )	28.3	50.2	78.5	226.9	346.4	660.5	881.1	1385.4	1963	3216.9
S Sortie (mm <sup>2</sup> )	102.8	175.5	272.6	456.8	720.6	1191.6	1578.7	2521	4095	5661

*These data are for information and can be modified without notice. It is not up to us to appreciate specifications. It is up to the customer to verify the adequacy between the equipment chosen and the real conditions of use.*