



AUTEXIER

MANUFACTURER OF INDUSTRIAL VALVES

93 Rue Louis Blanc - 02300 CHAUNY - FRANCE
Phone: +33 (0)3 23 52 02 86 Fax: +33 (0)3 23 39 52 28
Website: www.autexier.fr

Ref. 462 Family: 27

Rev.: 05

Date: 23 May 2018

Page 1/1

BRONZE SAFETY VALVE Ref. 462.Ø / 462BPØ / 462TØ

SERIES :

- 462.Ø with FPM disc
- 462BPØ with Silicone disc (low pressure)
- 462TØ with PTFE disc
- Female inlet / free outlet

For material compatibility, contact us

CARACTERISTICS :

- PN40 (Nominal Pressure)
- ENDS : Female GAZ threads
- MATERIAL : BRONZE CC491K

MAXIMUM CONDITIONS OF USE :

- Ref. 362.Ø : 40 bar of -15°C to 200°C
- Ref. 362BPØ : 40 bar of -50°C to 200°C
- Ref. 362TØ : 40 bar of -196°C to 225°C

APPLICATIONS :

- Compressed air
- Non-toxic gases
- Oxygen

OPTIONS :

- Degreased disc/seat

Specific dimensions, contact us



Subject to modifications

NOMENCLATURE			
Rep	Qty	Designation	Material
4	1	DISC	362.Ø:FPM / 362BPØ:Silicone / 362TØ:PTFE
5	1	DISC HOLDER	BRASS
6	1	SEAT	BRASS
22	1	LANTERN	BRONZE
23	1	SPRING	STAINLESS STEEL
24	1	ADJUSTING SCREW	BRASS
25	2	CARRIER	BRASS
27	1	NEEDLE	BRASS
38	1	DISC SCREW	STAINLESS STEEL
40	1	NUT	BRASS
74	1	RING	STEEL (NICKEL COATING)

DIMENSIONS		
DN	08	12
A (mm)	135	135
B (mm)	11	11
O	1/4"	3/8"
Weight (Kg)	0.200	0.245

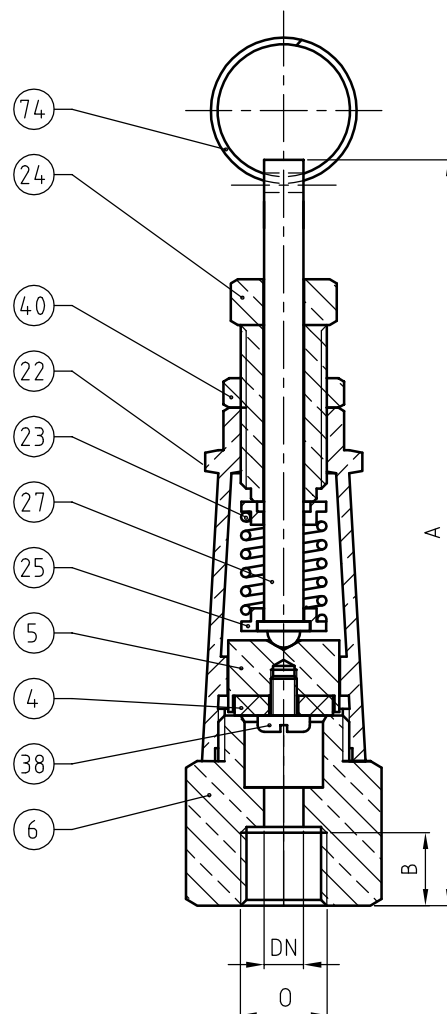
REFERENCES NORMS :

- Material: NF EN 1982 - NF EN 12164 - NF EN 10272
- Testing & checking: NF EN 12266-1/-2 (bench test)

Ref. instruction of assembling: 0904DA091E

Ref. instruction of operation: 0904DA097E

Mounting & assembly guides are available on our website.



These data are for information and can be modified without notice. It is not up to us to appreciate specifications. It is up to the customer to verify the adequacy between the equipment chosen and the real conditions of use.