



# AUTEXIER

MANUFACTURER OF INDUSTRIAL VALVES

93 Rue Louis Blanc - 02300 CHAUNY - FRANCE  
 Phone: +33 (0)3 23 52 02 86 Fax: +33 (0)3 23 39 52 28  
 Website: www.autexier.fr

Ref. 405 Family: 18

Rev. 02

Date: 05-07-2013

Page 1/1

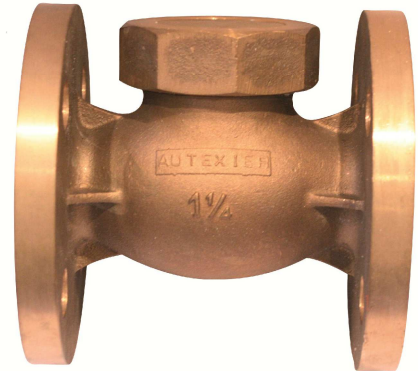
## VERTICAL LIFT CHECK VALVE WITH FLANGES

### Ref. 405A / 405T

**SERIES :**

- 405A: Stainless steel disc / Stainless steel seat
- 405T: PTFE disc / Stainless steel seat
- Union bonnet

*For material compatibility, contact us*



**CARACTERISTICS :**

- PN30 (Nominal Pressure)
- ENDS : ISO PN16 flanges
- MATERIAL : BRONZE CC499K or CC491K

**MAXIMUM CONDITIONS OF USE :**

- 30 bar at 250°C

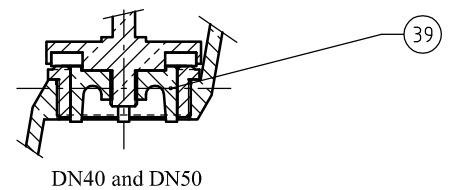
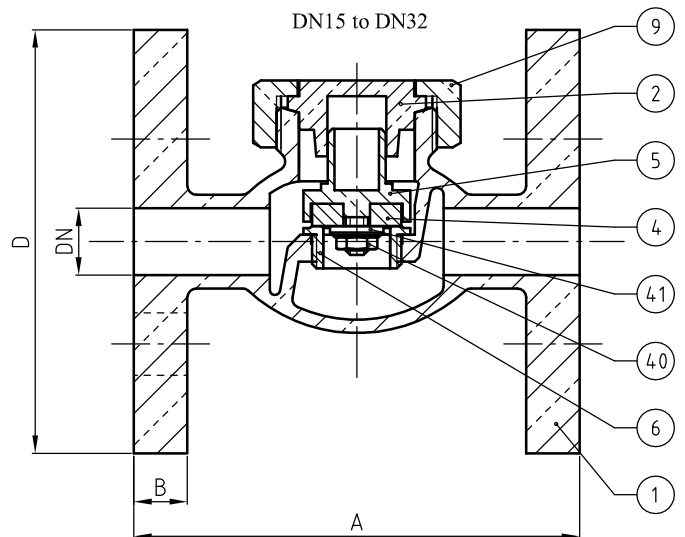
*Subject to modifications*

**APPLICATIONS :**

- Water-based fluids

**OPTIONS :**

- Special drilling
  - ASA 150 flanges (PN20)
  - Stainless steel springloaded
- Specific dimensions, contact us*



NOMENCLATURE			
Rep	Qty	Designation	Material
1	1	BODY	BRONZE
2	1	BONNET	BRONZE
4	1	DISC	STAINLESS STEEL / PTFE
5	1	DISC HOLDER	BRONZE / BRASS (DN15)
6	1	SEAT	STAINLESS STEEL
9	1	BONNET NUT	BRONZE
39	1	FIN (DN40 and DN50)	BRONZE
40	1	NUT (DN15 to DN32)	BRASS
41	1	WASHER	BRASS

**REFERENCES NORMS :**

- Material: NF EN 1982 - NF EN 12164 - NF EN 10272
- Testing & checking: NF EN 12266-1/-2 (bench test)

Ref. instruction of assembling: 0904DA109

Ref. instruction of operation: 0904DA110

**Mounting & assembly guides are available on our website .**

DIMENSIONS						
DN	15	20	25	32	40	50
A (mm)	100	110	125	140	160	185
B (mm)	12	13	14	15	16	17
D (mm)	95	105	115	140	150	165
Weight (Kg) 405A	1.872	2.600	3.530	5.380	7.400	10.300
Weight (Kg) 405T	1.725	2.500	3.512	5.592	7.417	9.635

*Opinions & advices are indicatives. It is not up to us to appreciate specifications. It is up to the customer to verify the adequacy between the equipment choosen and the real conditions of use.*