



AUTEXIER

MANUFACTURER OF INDUSTRIAL VALVES

93 Rue Louis Blanc - 02300 CHAUNY - FRANCE
 Phone: +33 (0)3 23 52 02 86 Fax: +33 (0)3 23 39 52 28
 Website: www.autexier.fr

Ref.: 191 Family: 09

Rev.: 07

Date: 10 Jan. 2018

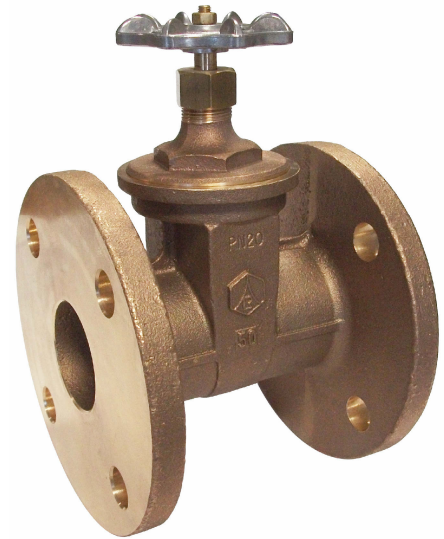
page 1/1

BRONZE SINGLE WEDGE GATE VALVE WITH FLANGES

Ref: 191Ø / 191ØTB / 191NPØ

SERIES :

- 191Ø
 - 191ØTB : All Bronze
 - 191NPØ : Undrilled valve
 - Screwed bonnet, Single wedge, Taper seat
- For material compatibility, contact us*



Subject to modifications

CHARACTERISTICS :

- PN20 (Nominal Pressure)
- ENDS : Flanges ISO PN16
- MATERIAL : BRONZE CC491K

MAXIMUM CONDITIONS OF USE :

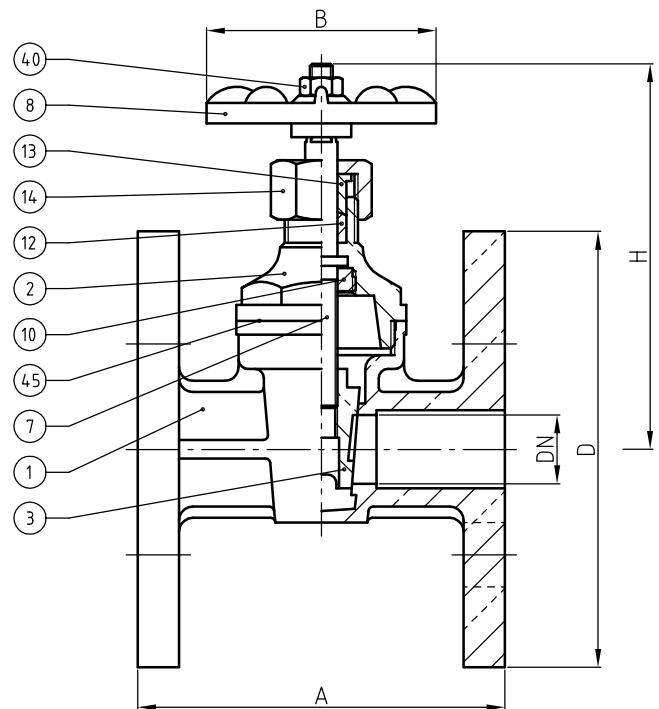
- 20 bar of -45°C to 225°C

APPLICATIONS :

- Water-based fluids
- Steam (8 bar)
- Seawater (Ref: 191TB)

OPTIONS :

- Special drilling
 - Special face-to-face
 - Locking device
- Specific dimensions, contact us*



NOMENCLATURE

Rep	Qty	Designation	Material
1	1	BODY	BRONZE
2	1	BONNET	BRONZE
3	1	SINGLE WEDGE DISC	BRONZE
7	1	STEM	BRASS / BRONZE (191TB)
8	1	HANDWHEEL	LIGHT ALLOY
10	1	STEM NUT	BRASS / BRONZE (191TB)
12	1	PACKING	PTFE
13	1	PACKING GLAND	BRASS / BRONZE (191TB)
14	1	PACKING NUT	BRASS / BRONZE (191TB)
40	1	NUT	BRASS / BRONZE (191TB)
45	1	GASKET (DN25, 50, 80, 100)	PTFE

REFERENCES NORMS :

- Material: NF EN 1982 - NF EN 12164 - NF EN 10272
- Testing & checking: NF EN 12266-1/-2 (bench test)
- Face to face: NF EN 558 - Series 18 (DN15 to DN32)
 NF EN 558 - Series 29 (DN40 to DN100)

Ref. instruction of assembling: 0904DA121

Ref. instruction of operation: 0904DA84

Mounting & assembly guides are available on our website .

DIMENSIONS

DN	15	20	25	32	40	50	65	80	100
A (mm)	80	90	100	110	136	142	154	160	172
B (mm)	50	60	60	70	70	80	110	110	150
D (mm)	95	105	115	140	150	165	185	200	220
H (mm)	84	95	105	124	130	147	190	225	270
Weight (kg)	1.300	1.800	2.200	3.850	5.100	6.700	10.750	13.850	21.350

These data are for information and can be modified without notice. It is not up to us to appreciate specifications. It is up to the customer to verify the adequacy between the equipment chosen and the real conditions of use.