



AUTEXIER

MANUFACTURER OF INDUSTRIAL VALVES

93 Rue Louis Blanc - 02300 CHAUNY - FRANCE
 Phone: +33 (0)3 23 52 02 86 Fax: +33 (0)3 23 39 52 28
 Website: www.autexier.fr

Ref.: 381 Family: 27

Rev.: 01

Date: 04-02-2013

Page 1/1

BRONZE SAFETY VALVE Ref: 181.Ø / 281.Ø / 381.Ø WITH CAP

SERIES :

- 181 : Metal Disc
- 281 : PTFE Disc
- 381 : FPM Disc
- Male inlet / Female outlet

For material compatibility, contact us



CARACTERISTICS :

- PN40 (Nominal Pressure)
- ENDS : GAZ threads
- MATERIAL : BRONZE CC491K or CC499K

MAXIMUM CONDITIONS OF USE :

- Ref. 181: 40 bar at 250°C
- Ref. 281: 40 bar at 250°C
- Ref. 381: 40 bar at 200°C

APPLICATIONS :

- Hot water & industrial fluids
- Water-based fluids
- Low pressure steam (8bar)
- Neutral gases (compressed air, ...)

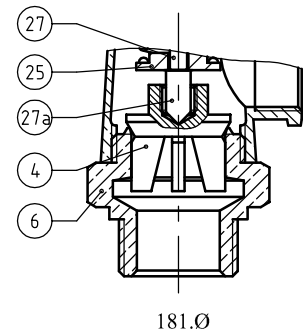
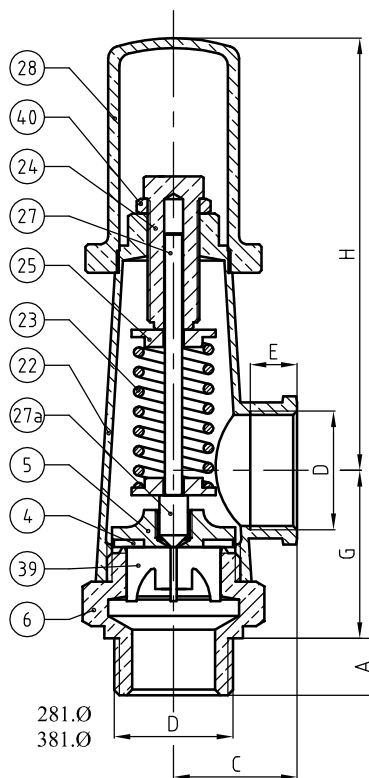
OPTIONS :

- NPT connection
- Flange connection
- Degreased disc / seat

Specific dimensions, contact us



Subject to modifications



NOMENCLATURE			
Rep	Qty	Designation	Material
4	1	DISC	181:BRONZE / 281:PTFE / 381:FPM
5	1	DISC HOLDER	BRONZE
6	1	SEAT	BRONZE
22	1	LANTERN	BRONZE
23	1	SPRING	STEEL
24	1	ADJUSTING SCREW	BRASS
25	1	CARRIER	BRASS; BRONZE (281 & 381 DN65 to 80)
27	1	NEEDLE	BRASS
27a	1	TIP NEEDLE	BRASS
39	1	FIN	BRONZE
40	1	NUT	BRASS

DIMENSIONS				
DN	40	50	65	80
A (mm)	23	27	32	34
C (mm)	50	55	67	80
D	1"1/2	2"	2"1/2	3"
E (mm)	19	21	28	32
G (mm)	68	81	93	109
H (mm)	181	204	231	261
Weight (Kg) Ref.181	2.860	4.059	6.469	10.567
Weight (Kg) Ref.281	2.877	4.000	5.834	10.037
Weight (Kg) Ref.381	2.827	3.844	6.500	9.927
S Inlet (mm ²)	881.1	1385.4	1963	3216.9
S Outlet (mm ²)	1578.7	2521	4095	5661

REFERENCES NORMS :

- Material: NF EN 1982 - NF EN 12164 - NF EN 10272
- Testing & checking: NF EN 12266-1/-2 (bench test)

Ref. instruction of assembling: 0904DA091

Ref. instruction of operation: 0904DA155

Mounting & assembly guides are available on our website .

Opinions & advices are indicatives. It is not up to us to appreciate specifications. It is up to the customer to verify the adequacy between the equipment choosen and the real conditions of use.