



AUTEXIER

MANUFACTURER OF INDUSTRIAL VALVES

93 Rue Louis Blanc - 02300 CHAUNY - FRANCE
Phone: +33 (0)3 23 52 02 86 Fax: +33 (0)3 23 39 52 28
Website: www.autexier.fr

Ref. 105 Family: 18

Rev. 03

Date: 12 May 2016

Page 1/1

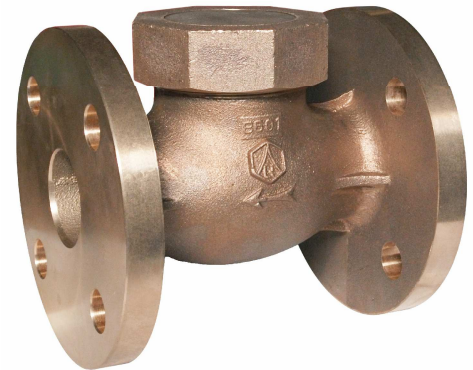
VERTICAL LIFT CHECK VALVE WITH FLANGES

Ref. 105C / 105T

SERIES :

- 105C: Bronze disc / Bronze seat
- 105T: PTFE disc / Bronze seat
- Union bonnet

For material compatibility, contact us



CHARACTERISTICS :

- PN30 (Nominal Pressure)
- ENDS : ISO PN16 flanges
- MATERIAL : BRONZE CC499K or CC491K

MAXIMUM CONDITIONS OF USE :

- 30 bar of -15°C to 200°C

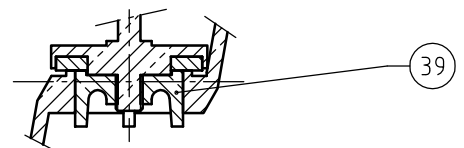
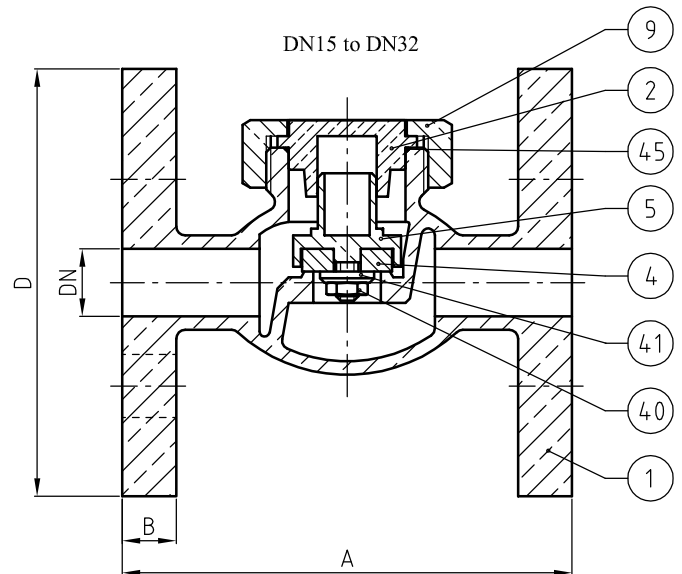
APPLICATIONS :

- Water-based fluids

OPTIONS :

- Special drilling
 - ASA 150 flanges (PN20)
 - Stainless steel springloaded
- Specific dimensions, contact us*

Subject to modifications



NOMENCLATURE			
Rep	Qty	Designation	Material
1	1	BODY	BRONZE
2	1	BONNET	BRONZE
4	1	DISC	BRONZE / PTFE
5	1	DISC HOLDER	BRONZE / BRASS (DN15)
9	1	BONNET NUT	BRONZE
39	1	FIN (DN40 and DN50)	BRONZE
40	1	NUT (DN15 to DN32)	BRASS
41	1	WASHER	BRASS
45	1	O-RING	FPM

REFERENCES NORMS :

- Material: NF EN 1982 - NF EN 12164 - NF EN 10272
- Testing & checking: NF EN 12266-1/-2 (bench test)

Ref. instruction of assembling: 0904DA109

Ref. instruction of operation: 0904DA110

Mounting & assembly guides are available on our website .

DIMENSIONS						
DN	15	20	25	32	40	50
A (mm)	100	110	125	140	160	185
B (mm)	12	13	14	15	16	17
D (mm)	95	105	115	140	150	165
Weight (Kg) 105C	1.850	2.500	3.410	5.402	6.975	9.740
Weight (Kg) 105T	1.652	2.463	3.380	5.370	7.070	9.600

Opinions & advices are indicatives. It is not up to us to appreciate specifications. It is up to the customer to verify the adequacy between the equipment choosen and the real conditions of use.