



**AUTEXIER**

**MANUFACTURER OF INDUSTRIAL MARINE AND OIL & GAS VALVES  
IN BRONZE AND ALUMINIUM-BRONZE**

93, rue Louis Blanc - 02300 CHAUNY - FRANCE  
Tel : +33 (0)3.23.52.02.86 - Fax : +33 (0)3.23.39.52.28  
[www.autexier.fr](http://www.autexier.fr)

## Instruction for use for 3 way ball valves

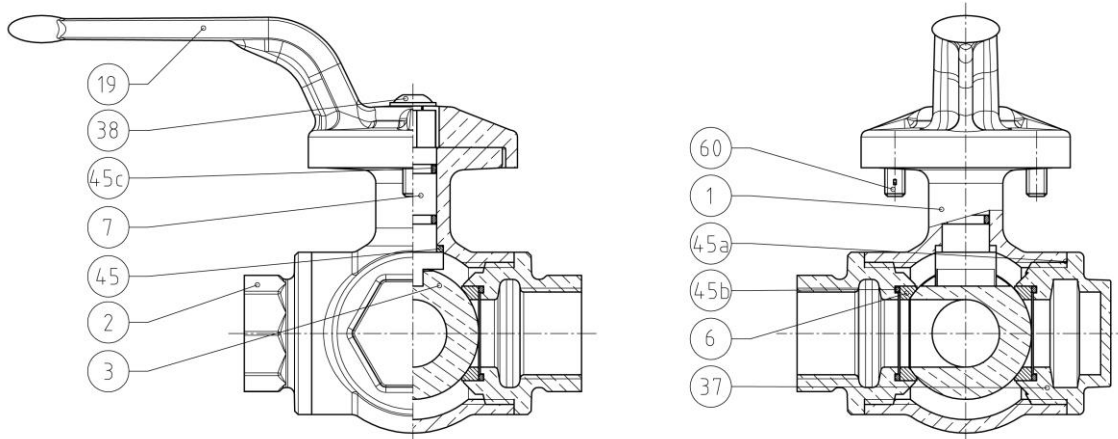


**A75L, AU75L, AN75L, A75T, AU75T, AN75T, A76L, AU76L, AN76L, A76T, AU76T et AN76T**

### Operation

The 3 way ball valve (L type or T type) is used for mixing or distributing fluids. It operates manually using the *handle 19*, or automatically with servomotor. Be careful to turn the *handle 19* in the correct direction, using the engraved symbol on the *handle 19* indicating which channels are in communication.

Réf. A75L / AU75L / AN75L



Réf. A76L / AU76L / AN76L

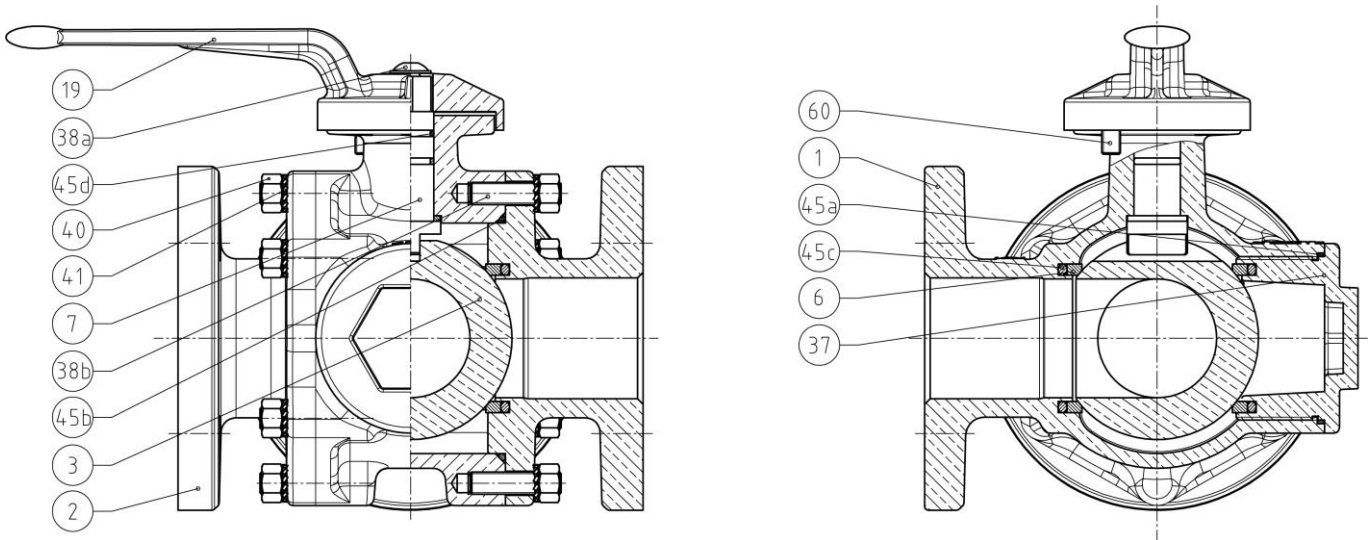
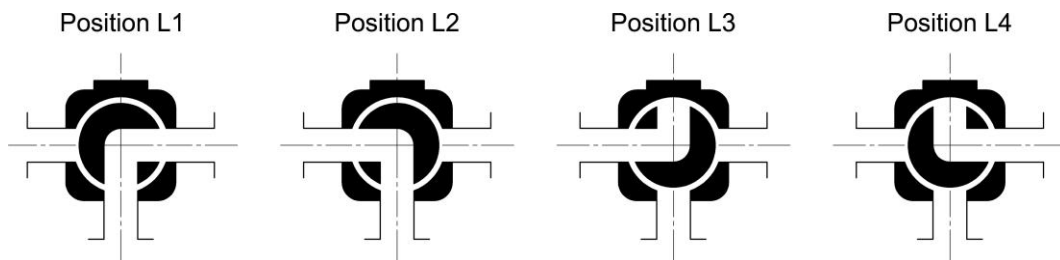
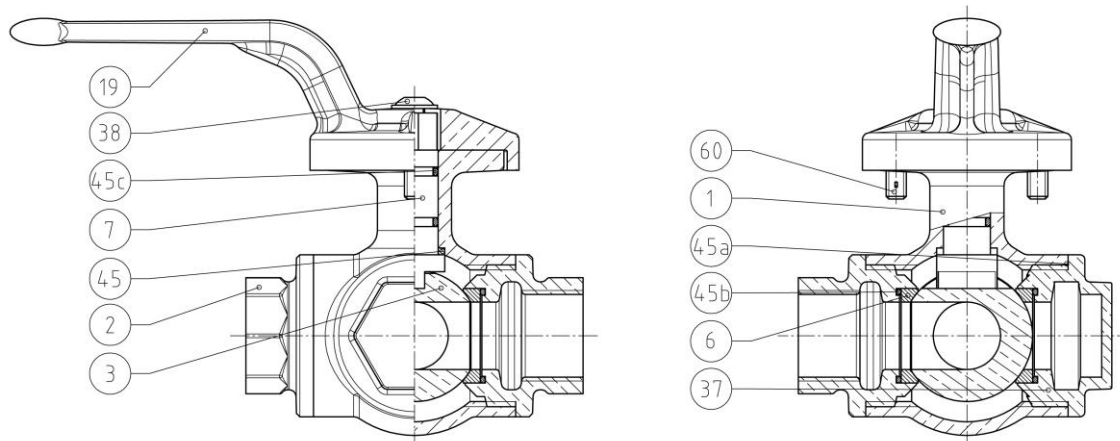


Schéma d'ouverture



Réf. A75T / AU75T / AN75T



Réf. A76T / AU76T / AN76T

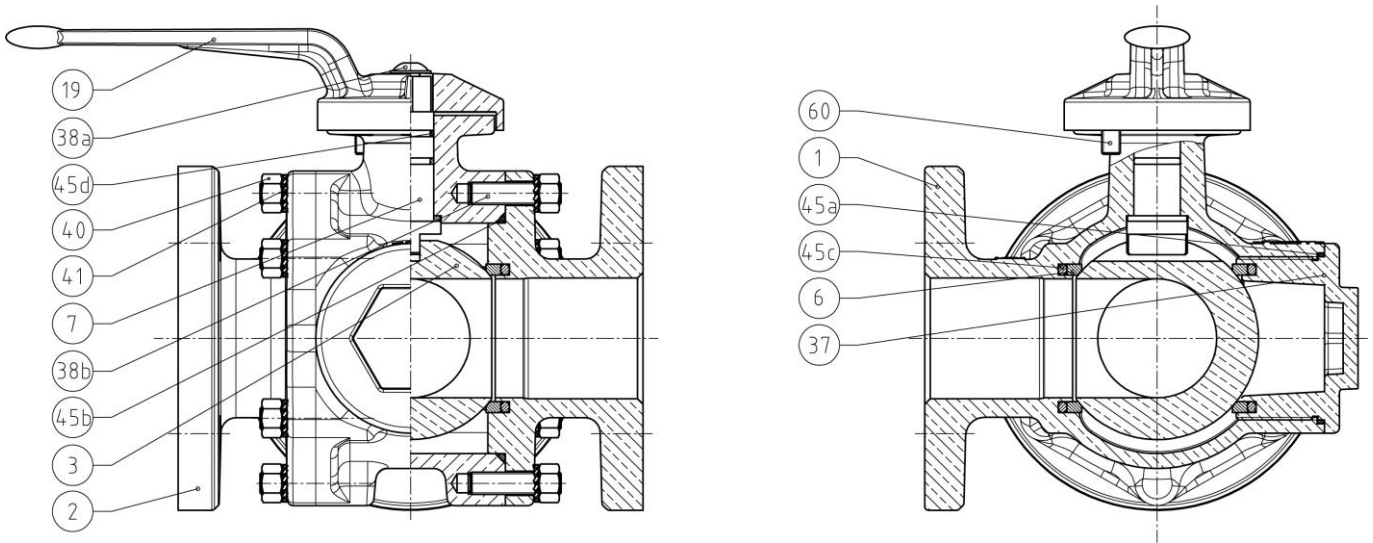
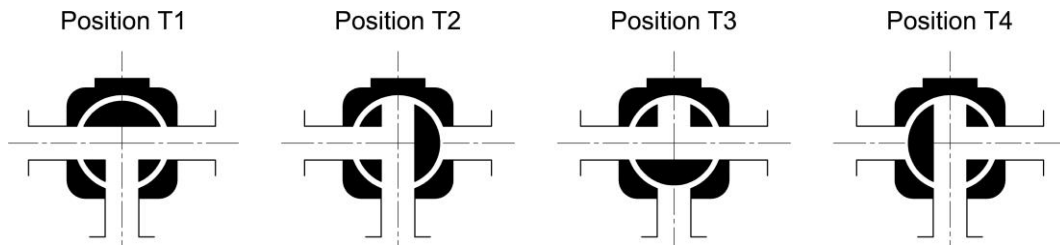


Schéma d'ouverture



Ref. Document 0904DA158E version00 of 11 July 2017

