



**AUTEXIER**

**MANUFACTURER OF INDUSTRIAL MARINE AND OIL & GAS VALVES  
IN BRONZE AND ALUMINIUM-BRONZE**

93, rue Louis Blanc - 02300 CHAUNY - FRANCE  
Tel : +33 (0)3.23.52.02.86 - Fax : +33 (0)3.23.39.52.28  
[www.autexier.fr](http://www.autexier.fr)

## Instruction for use for gate valves



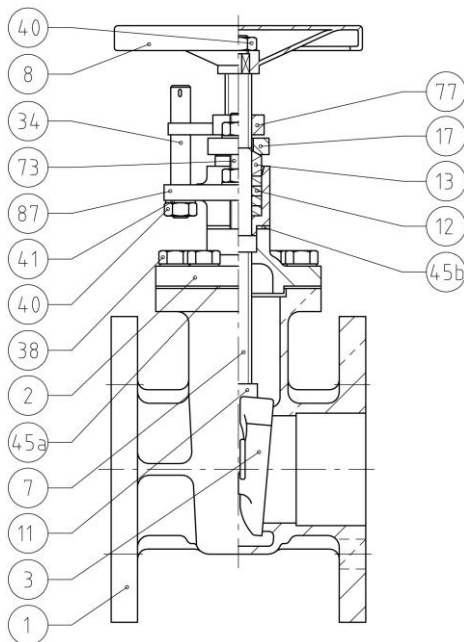
### 591, AU591, AN591, 592, AU592 and AN592

#### Operation

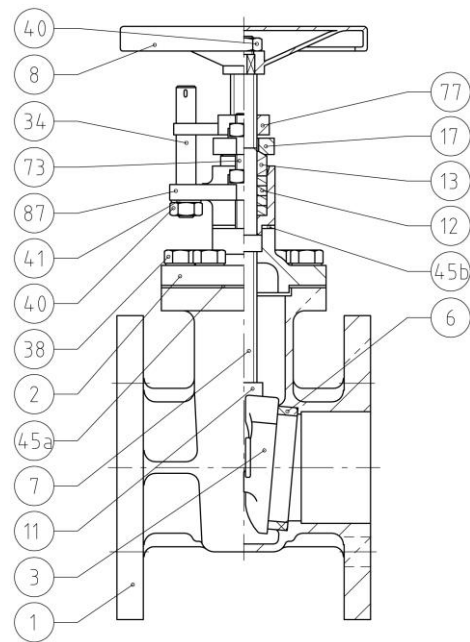
This gate valve opens and shuts by turning the *handwheel 8*. This rotation lifts or lowers the *double wedge disc 3*, through *wedge disc nut 11*, thanks to a spiral link (screw/nut connections) with the *stem 7*.

In order to prevent any translation of the *stem 7*, it is retained between the *bonnet 2* and the *stuffing box 87*. Sealing is ensured by means of a *packing flange 17*, a *packing 12* and a *packing gland 13*. This stack is assembled by us in the factory. This valve is equipped with an opening indicator system, to know the open or closed position. Indeed, when the valve is open, the *indicator 77* arrives at the top of the *guide 34* next to the mark **O**, engraved on the guide.

Ref. 591 / AU591 / AN591



Ref. 592 / AU592 / AN592



Ref. Document 0904DA87E version00 of 13 Dec. 2017

